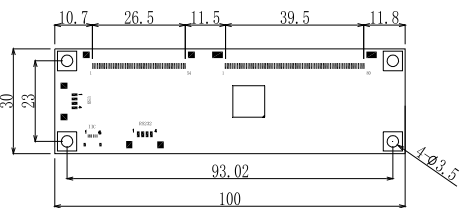
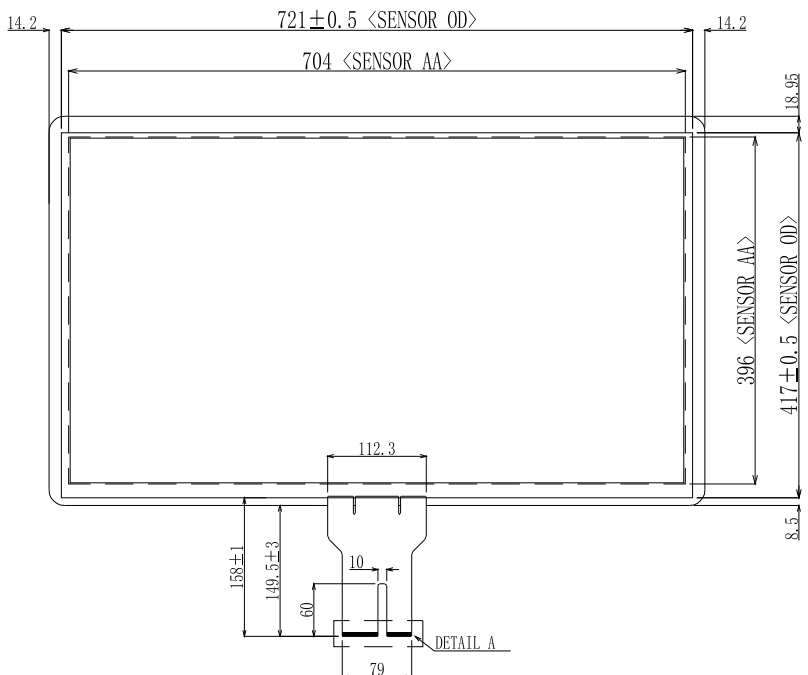
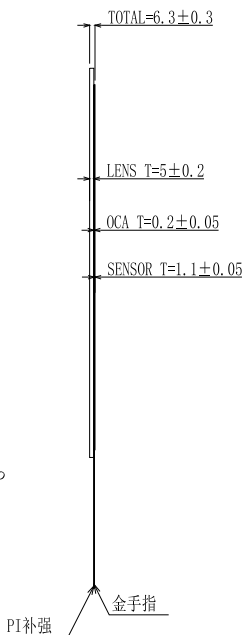
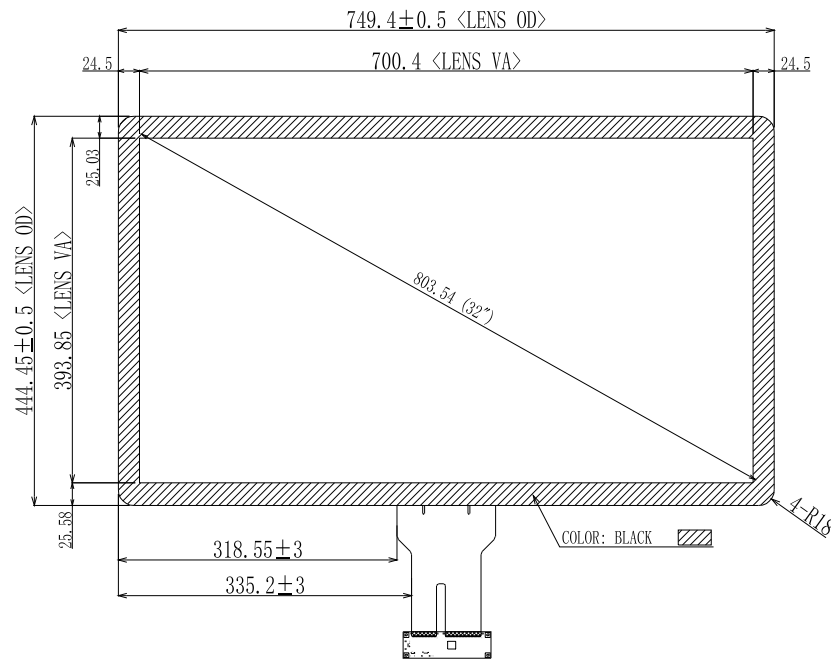


TOP VIEW

SIDE VIEW

BOTTOM VIEW



CONTROLLER  
 SC 4:1

USB PIN ASSIGNMENT

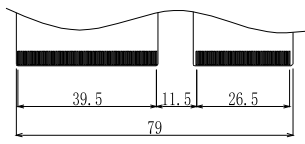
|   |      |
|---|------|
| 1 | VBUS |
| 2 | D-   |
| 3 | D+   |
| 4 | GND  |

RS232 PIN ASSIGNMENT

|   |      |
|---|------|
| 1 | VBUS |
| 2 | RXD  |
| 3 | TXD  |
| 4 | GND  |

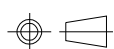
IIC PIN ASSIGNMENT

|   |      |
|---|------|
| 1 | VDD  |
| 2 | GND  |
| 3 | SDA  |
| 4 | SCL  |
| 5 | INTB |
| 6 | RST  |



| Property              | Requirement    |
|-----------------------|----------------|
| Type                  | Glass to Glass |
| IC                    | COB ILITEK2312 |
| Surface Hardness      | ≥6H            |
| Light Transmission    | ≥83%           |
| Operation Temperature | -20℃~70℃       |
| Storage Temperature   | -30℃~80℃       |

SINOTELECTRONICS INC.

|                    |                     |               |   |     |
|--------------------|---------------------|---------------|---|-----|
| TITLE:<br>产品编号     | SNT-ITO-TPB-32-ILI  |               |   |     |
| Designed By:<br>设计 | Customerid:<br>客户编号 | View:<br>投影方式 |  |     |
| Checked By:<br>审核  | Unit:<br>单位         | mm            | Scale:<br>比例  | 1:1 |
| Approved By:<br>批准 | Date:<br>日期         | 20190829      |   |     |