

## DOCUMENT NUMBER AND REVISION

QA-150519-02 / Rev. 0.0

DOCUMENT TITLE  
SPECIFICATION OF ATI0490

ITEM	INFRARED TOUCH SCREEN
MODEL	ATI0490
NEXIO PRODUCT NO.	ATI0490-XXHI3-AGSI-32HX-GE
CUSTOMER PRODUCT NO.	-
CUSTOMER	-
DATE	2015. 05. 19

APPROVED BY CLIENT

APPROVED BY NEXIO	
PROPOSER	KIM S. S .
REVIEWER	
APPROVER	KIM L. H.

**Nexio Co., Ltd.**

5F, Seong-Woong B/D, 898-3 Jakjun-dong,  
Gyeyang-gu, Incheon, Korea

Tel : +82 32 556 9545 ~ 7

Fax : +82 32 556 9544

## **CONTENTS**

1. DOCUMENT REVISION HISTORY .....	3P
2. TOUCH SPECIFICATIONS .....	4P
3. MECHANICAL SPECIFICATIONS .....	4P
4. STANDARDS .....	4P
5. OPERATING SYSTEMS .....	5P
6. ELECTRICAL SPECIFICATIONS .....	5P
7. ENVIRONMENT CONDITIONS .....	5P
8. CONTROLLER .....	6P
9. USB INTERFACES .....	6P
10. DRAWING SPECIFICATIONS .....	7P
11. PACKING SPECIFICATIONS .....	8P

**1. DOCUMENT REVISION HISTORY**

Date	Rev. No	Page	Description
2015.05.19	0.0	-	Specification of [ATI0490-XXHI3-AGSI-32HX-GE] was issued first.

## 2. TOUCH SPECIFICATIONS

<b>Touch panel size</b>	49 inch
<b>Multi touch point</b>	6 points up to 10 points
<b>Supported OS</b>	Window7, Window8, Android, Linux
<b>Touch Input Method</b>	Pen, Finger, Finger of gloved hand Activation
<b>Touch Activation Force</b>	No minimum touch activation force
<b>Response Time</b>	7ms(1point) < Time < 12ms(10Point)
<b>Optics Cell Pitch</b>	5.7mm ± 0.2mm
<b>Touch Accuracy</b>	Within 2.0mm
<b>Optics Number</b>	189(H) x 106(V)
<b>Available Object Sizes for Touch</b>	Touch : Ø 7 mm, Drawing : Ø 8 mm
<b>Anti Sunlight</b>	Normal touch sensing from upper side 50cm/500W Halogen lamp.
<b>Touch Durability</b>	Unlimited
<b>Warranty</b>	1 Year

## 3. MECHANICAL SPECIFICATIONS

<b>Housing</b>	Aluminum, Black
<b>Touch Size (Out line)</b>	1119 ± 0.8(W) x 647 ± 0.8(D) x 16.3 ± 0.5(H) (mm)
<b>Useful Screen Area</b>	1078(H) x 606(V) (mm)
<b>Weight (NET/GROSS)</b>	TBD
<b>Glass</b>	Option (Custom versions available on request)
<b>Packing Size</b>	1390(W) x 240(V) x 835(H) (mm) (3EA in a package)

## 4. STANDARDS

ITEMS	SPECIFICATION
<b>RoHS</b>	Compliant with restriction of hazardous substances directive 2002/95/EC and additional RoHS 2.0 requirements
<b>ESD handling</b>	IEC61000-4-2 - Contact : Level 2 - Air : Level 4
<b>REACH standard</b>	Compliant with the registration, evaluation, authorization and restriction of chemical substances - EC1907/2006

**5. OPERATING SYSTEMS**

	Mouse (single)	Digitizer (multi)	Gestures	Plug & Play	Optional SW Packages
Win 8 <sup>(3)</sup>	O	O	O	O	
Win 7 & Embedded	O	O	O	O	
	※ Notice : have to install with service package1 in Windows 7				
Win XP & Embedded	O	X	O <sup>(1)</sup>	O	
Mac OSX	O	O <sup>(2)</sup>	O <sup>(2)</sup>	O	O <sup>(2)</sup>
Linux	O	O	O (Kernel 3.9 over)	O (Kernel 3.9 over)	O
Android	O	O	O (Kernel 3.9 over)	O (Kernel 3.9 over)	O
Chromebook	O	O	O (Kernel 3.9 over)	O (Kernel 3.9 over)	O
<b>Functions</b>	<i>Click, Drag, Double-Click</i>	<i>Mouse Functions, Right-Click, Flicks, Panning with Inertia</i>	<i>Mouse &amp; Digitizer Functions, Press &amp; Tap, Rotate, Zoom In/Out</i>		<i>Calibration, Rotation, USB-Downloader, Diagnostics</i>

**\* Operating Systems Not Supported: Windows 2000 and earlier versions**

- (1) Gestures can be supported by some program. (MS-Office, Internet-Explorer, etc, ...)
- (2) Driver install needed.
- (3) Touch performance might be limited by OS type and compatibility.

**6. ELECTRICAL SPECIFICATION**

<b>Operating Voltage</b>	DC 4.6V~5.25V
<b>Power Consumption</b>	Max 1.36W(5V, 260 mA)
<b>ESD</b>	Re-operation within 10sec when supplied 4KV Surge in contact, 15KV Surge in air

**7. ENVIRONMENT CONDITIONS**

Item	Operating Temperature		Storage Temperature		Remark
	MIN	MAX	MIN	MAX	
<b>Ambient Temperature</b>	-10°C	+60°C	-20°C 8 hr Still	+70°C 8 hr Still	Dry
<b>Humidity</b>	Operating Humidity : 0% ~ 80% Storage Humidity : 0% ~ 90%				-
<b>Vibration PCA must be mounted on a suitable connector</b>	Frequency: 10 ~ 55 Hz Amplitude: 0.75 mm Duration: 20 cycles in each direction.				3 directions
<b>Altitude</b>	3,000m				-
<b>Interface</b>	USB1, USB 2.0 Full Speed(12Mbps), USB 3.0				-
<b>Detection Method</b>	Infrared rays				-

**8. CONTROLLER : INCLUDED IN TOUCH PANEL**

**9. CONNECTOR INTERFACES**

	Specifications
<b>Power</b>	USB Powered
<b>Protocol</b>	Human Interface Device(HID)
<b>Operation</b>	Plug & Play
<b>Speed</b>	USB 2.0 Full Speed(12Mbps)
<b>Connector</b>	USB 'A' Type Plug

**※Notice 1 : Do not set battery mode or power save mode in computer power option.**

**※Notice 2 : The standard of USB communication length is 5M(refer to usb.com)**

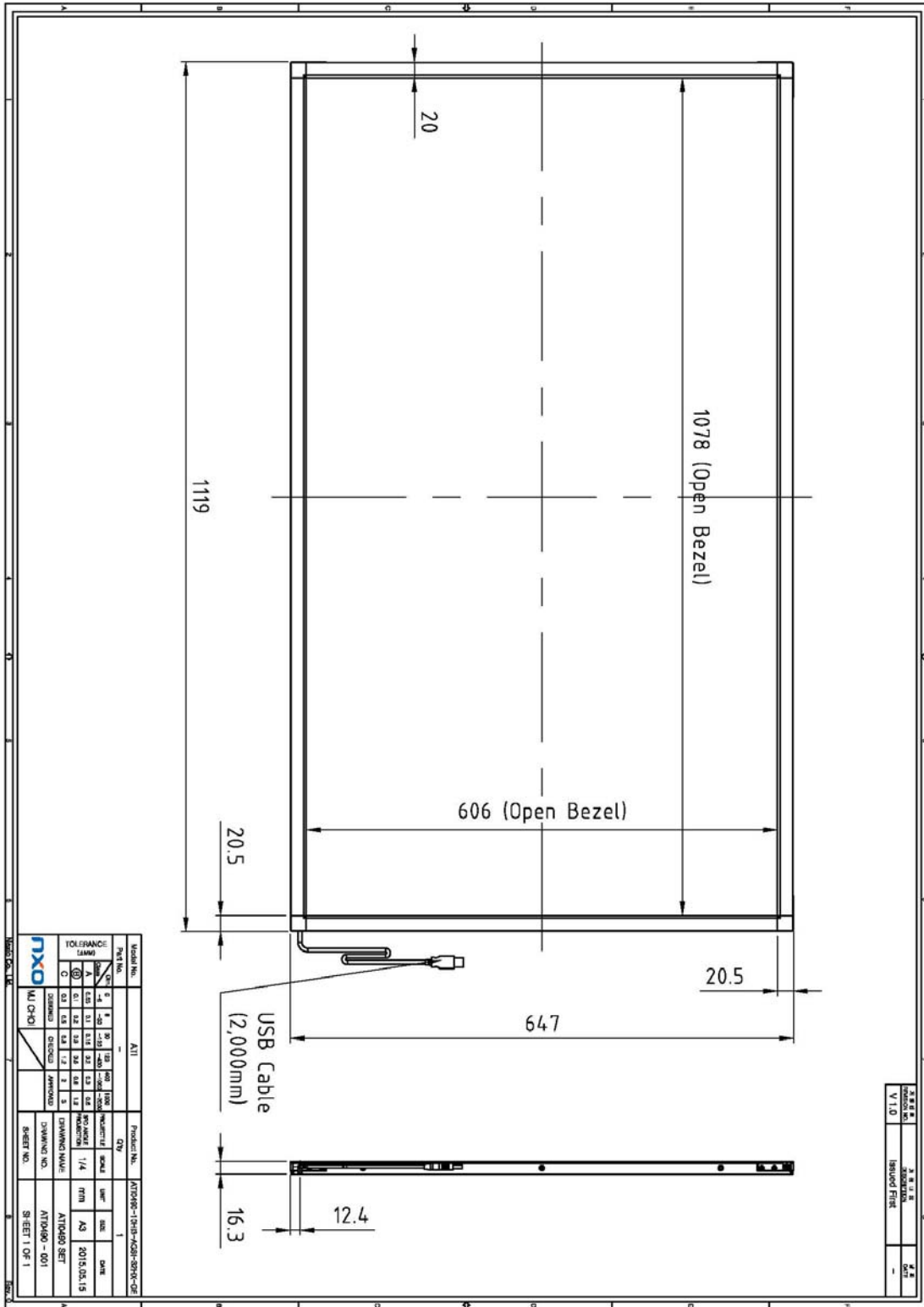
**When you use USB extension Cable, data loss and degradation might be able to be occurred.**

**In order to minimize data loss and degradation according to USB extension Cable using,**

**We highly recommend Repeater using to provide external power supply.**



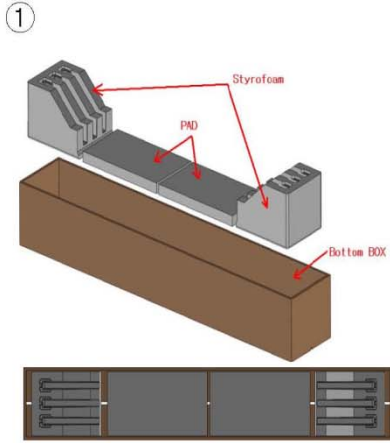
10. DRAWING SPECIFICATIONS



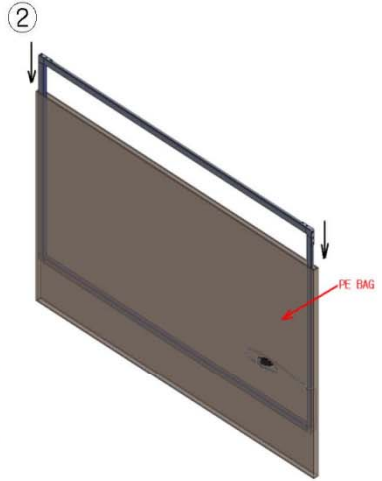
- Specification is subject to change without prior notice
- Quality Assurance of Nexio products guarantee normal operation on the agreed period of time. However, it does not include in conjunction with third-party products.

11. PACKING SPECIFICATIONS

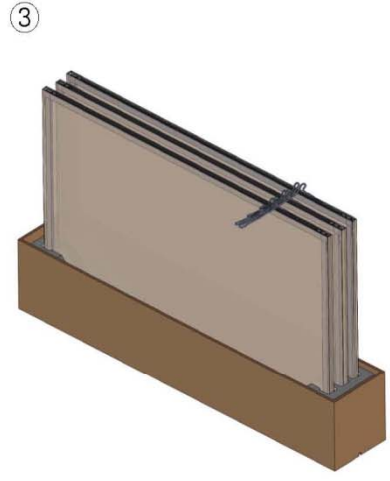
[PACKING SPECIFICATIONS]



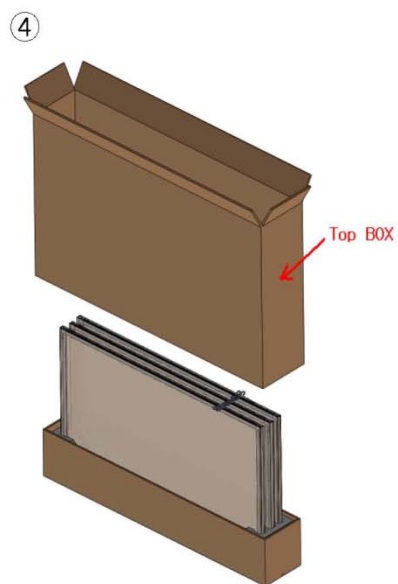
1. 그림과 같이 준비된 Bottom BOX에 Styrofoam과 PAD를 BOX 바닥에 넣는다.



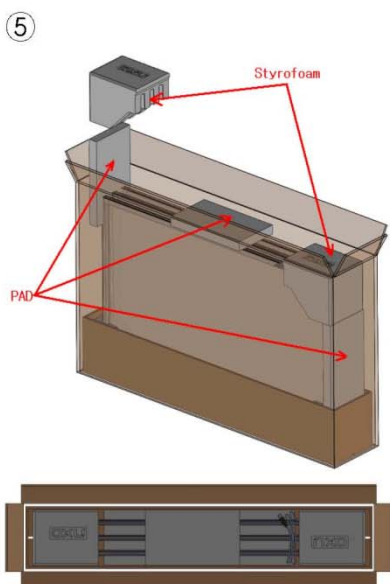
2. 완성된 제품을 PE BAG에 넣고 USB케이블이 PE BAG 밖으로 나올수 있도록 코너부분을 약간 찢어 밖으로 빼낸 후, 남은 PE BAG는 접어서 테이프로 붙여 고정한다.



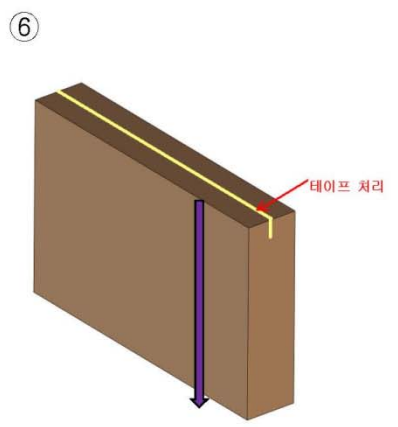
4. 그림과 같이 2번에서 작업한 3개 제품을 Styrofoam에 끼워 넣는다. 이때, 1개 넣은 후 옆으로 쓰러질 수 있으니 주의할 수 있도록 한다.



4. 그림과 같이 준비된, Top BOX를 씌운다.



5. 그림과 같이 Styrofoam과 PAD를 BOX안에 넣는다.



6. 그림과 같이 BOX를 닫고 OPP Tape를 바른 후 보라색 화살표와 같이 밴딩을 2곳 처리한다.