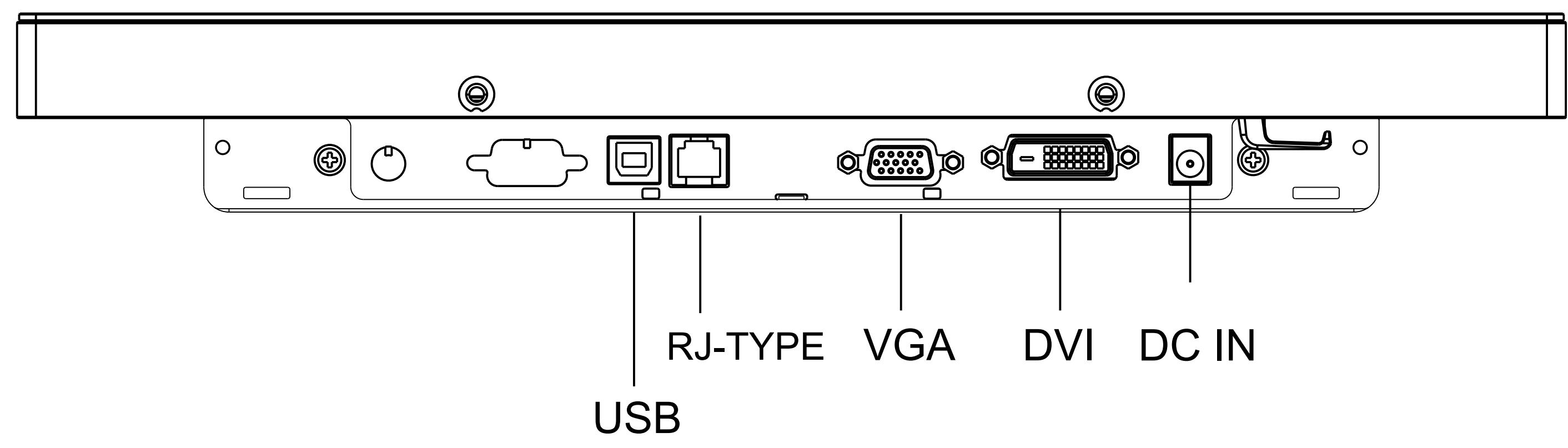
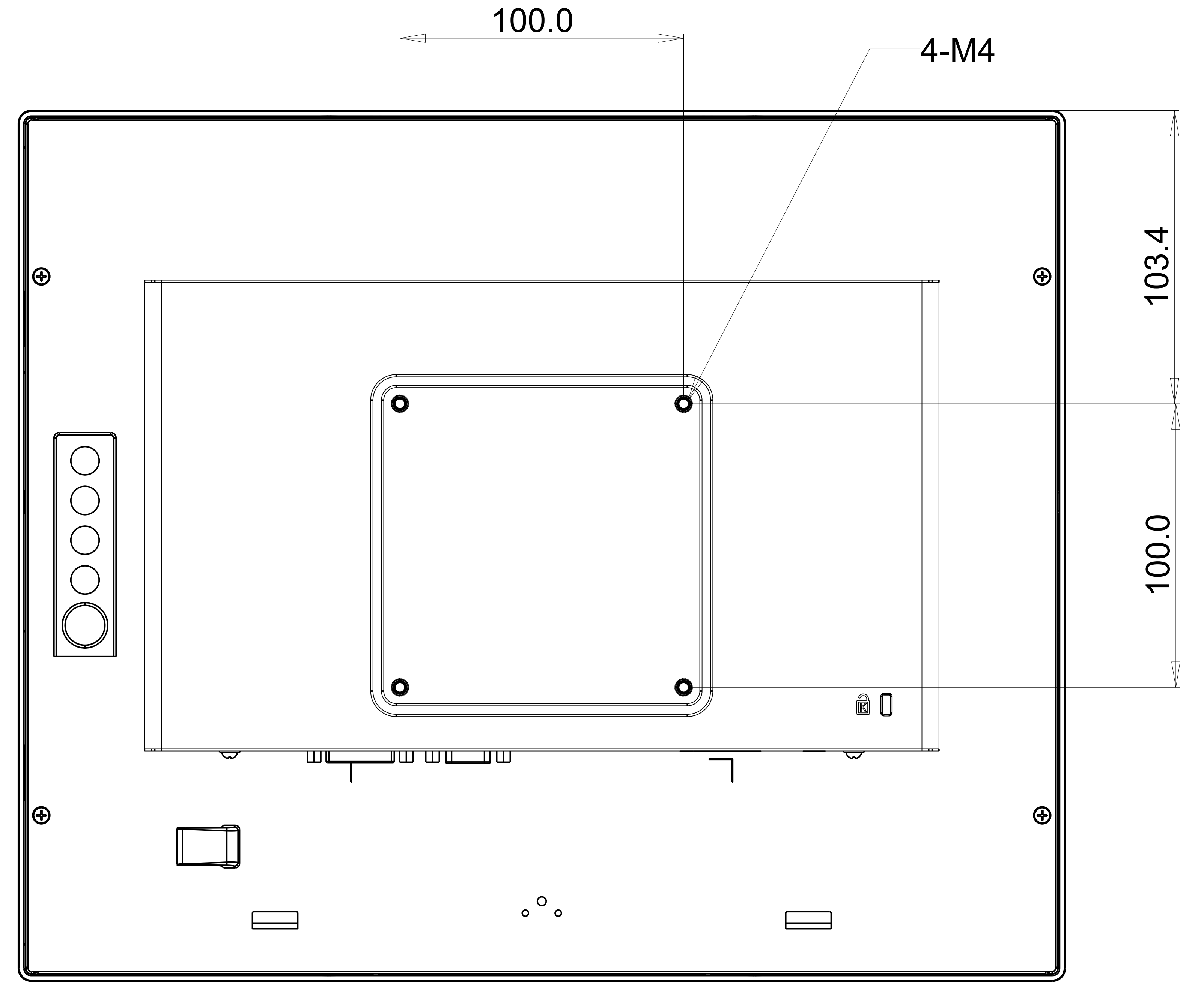
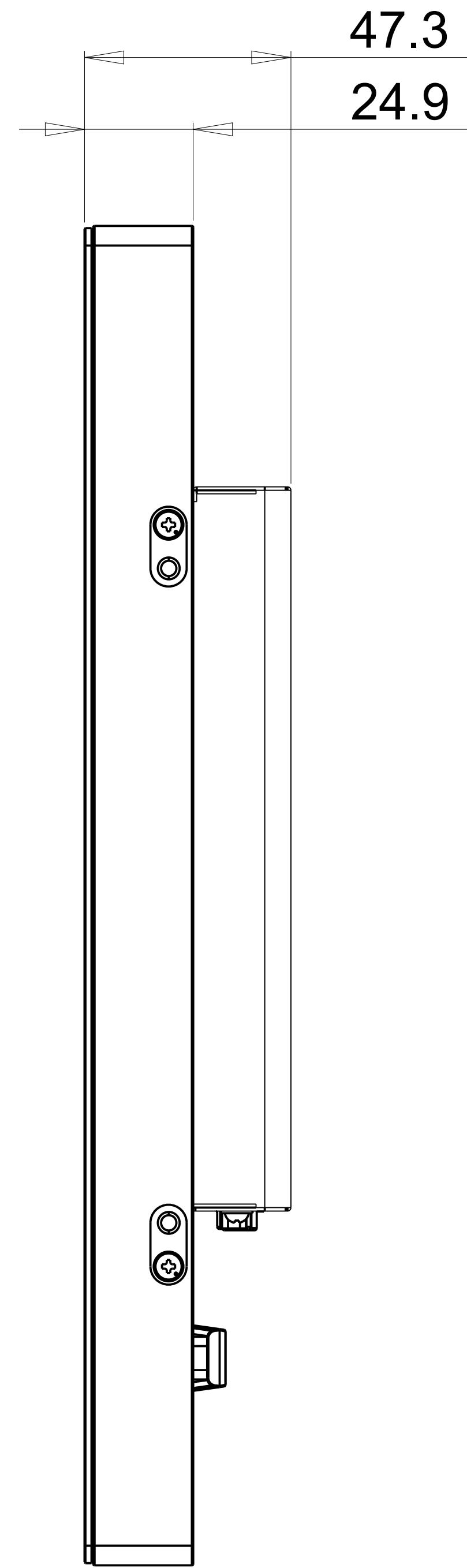
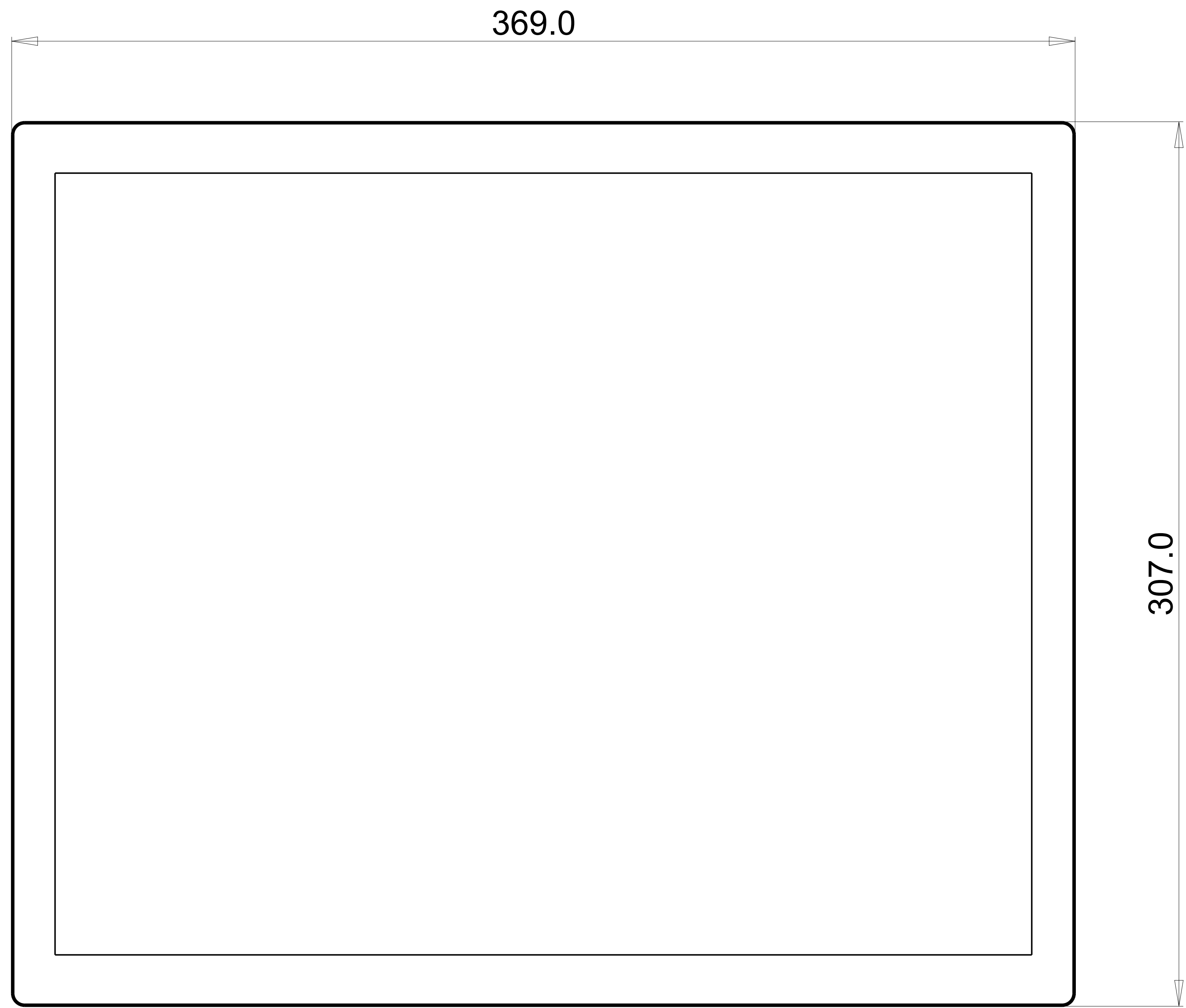




A | B | C | D | E | F | G | H | I | J | K | L | M | N

REVISIONS				
ECN	REV.	DESCRIPTION	DATE	APPROVED

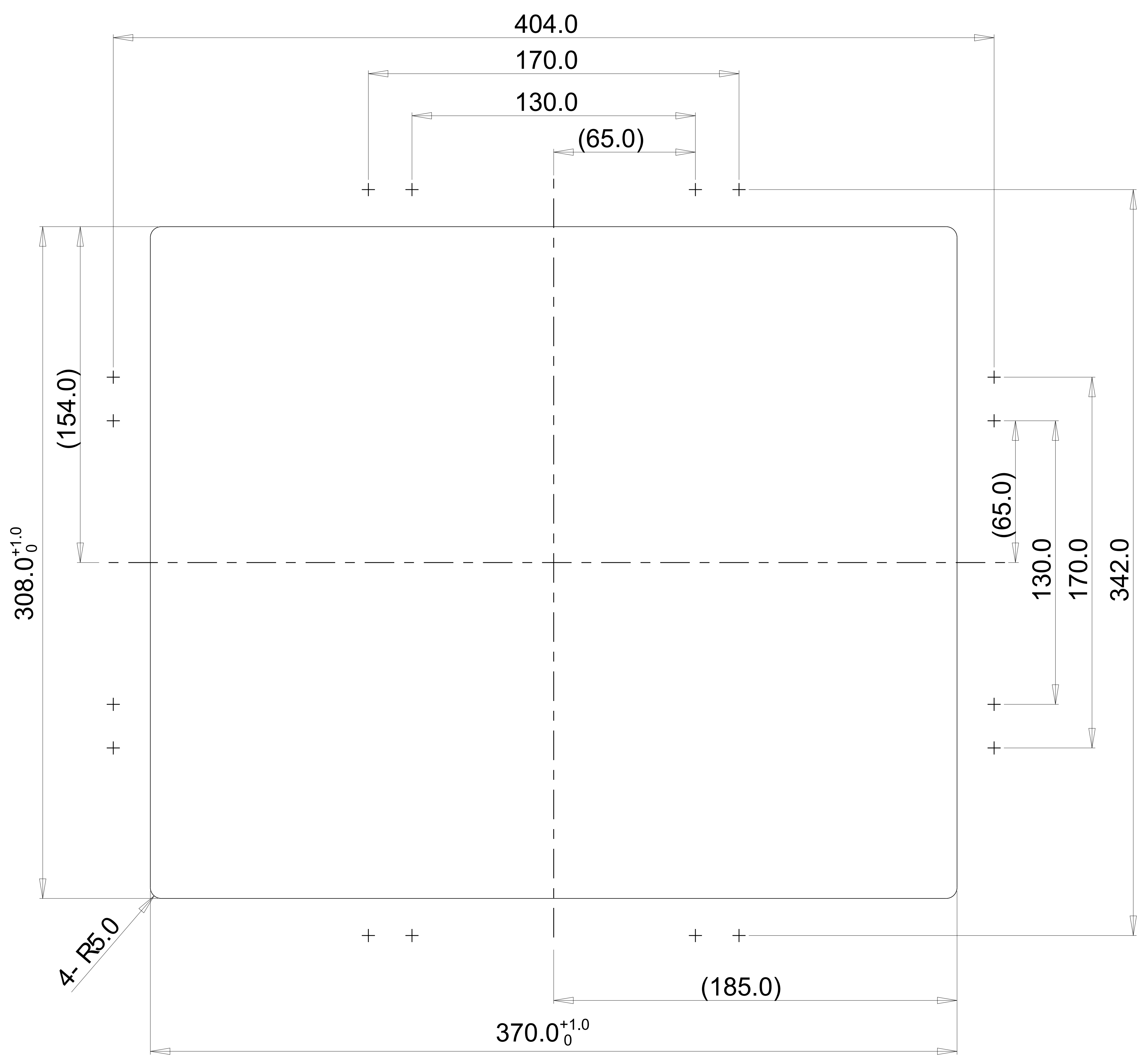


UNLESS OTHERWISE SPECIFIED DIMENSIONS ARE IN: mm		THIS DRAWING(SPECIFICATION) IS THE PROPERTY OF TPK CORPORATION ALL RIGHTS RESERVED	
ITEM	NEXT ASSY	USED ON	APPROVALS
APPLICATION		THIRD ANGLE PROJECTION	DRAWN: Derek DATE: 11-Aug-14
MATERIAL		COLOR	CHECKED: ISSUED:
DO NOT SCALE DRAWING		SCALE	DWG. NO. REV. A
SIZE: A0		SCALE: 1.000	SHEET OF 1 2

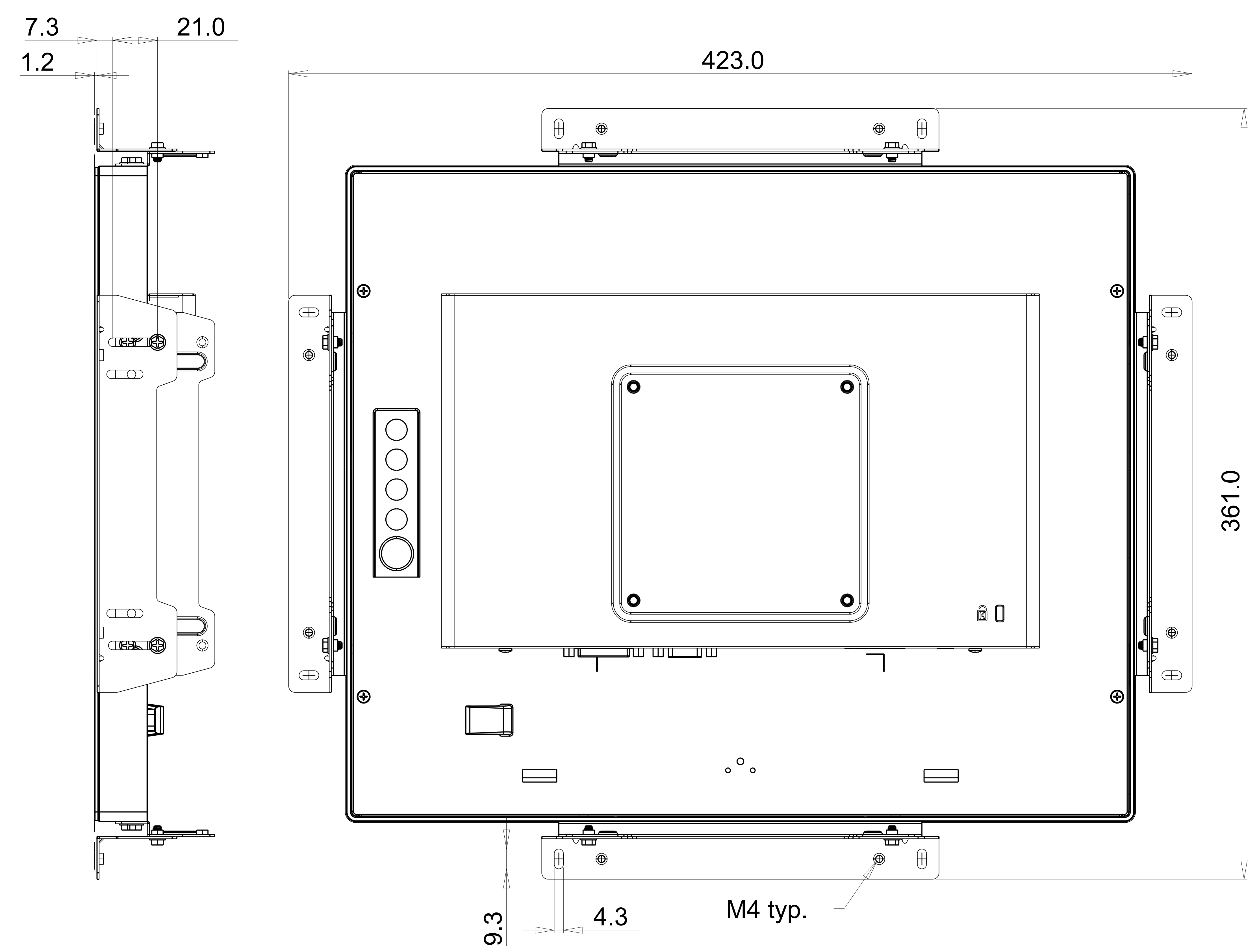
A | B | C | D | E | F | G | H | I | J | K | L | M | N

REVISIONS				
ECN	REV.	DESCRIPTION	DATE	APPROVED

### RECOMMENDED CUSTOMER PANEL CUT-OUT



### REAR MOUNT WITH BRACKETS, HORIZONTAL OR VERTICAL



UNLESS OTHERWISE SPECIFIED DIMENSIONS ARE IN: mm		THIS DRAWING(SPECIFICATION) IS THE PROPERTY OF TPK CORPORATION ALL RIGHTS RESERVED	
INCHES XX XXX	DECIMALS ±	METRIC 0.X 0.XX	TOLERANCES ±0.2 ±0.1
APPLICATION	APPROVALS	DATE	
THIRD ANGLE PROJECTION	DRAWN Derek	08-Apr-14	
MATERIAL	CHECKED	ISSUED	
COLOR			
DO NOT SCALE DRAWING		SCALE	
SIZE A0	DWG. NO.	REV. A	
SCALE	1.000	SHEET OF 2	2