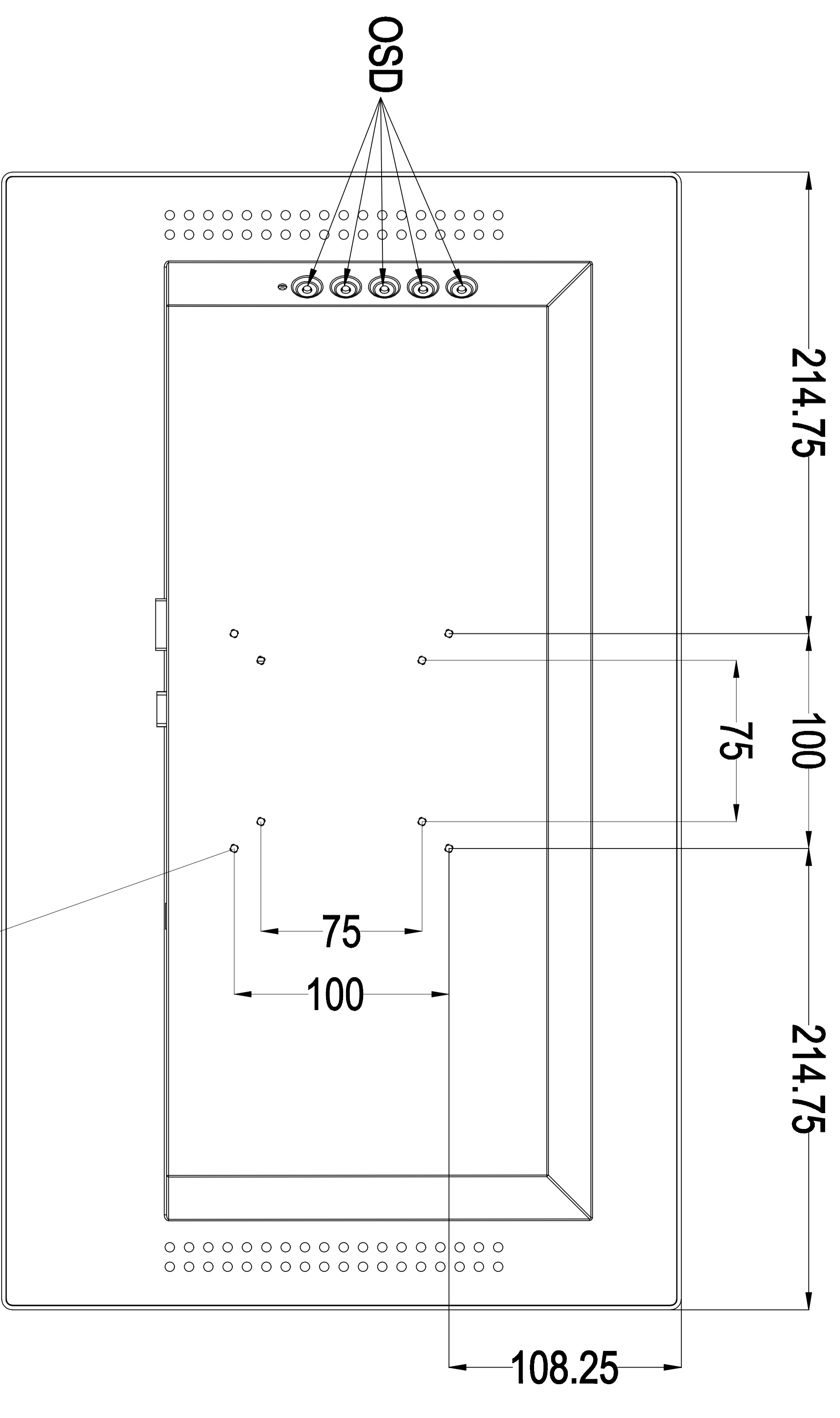
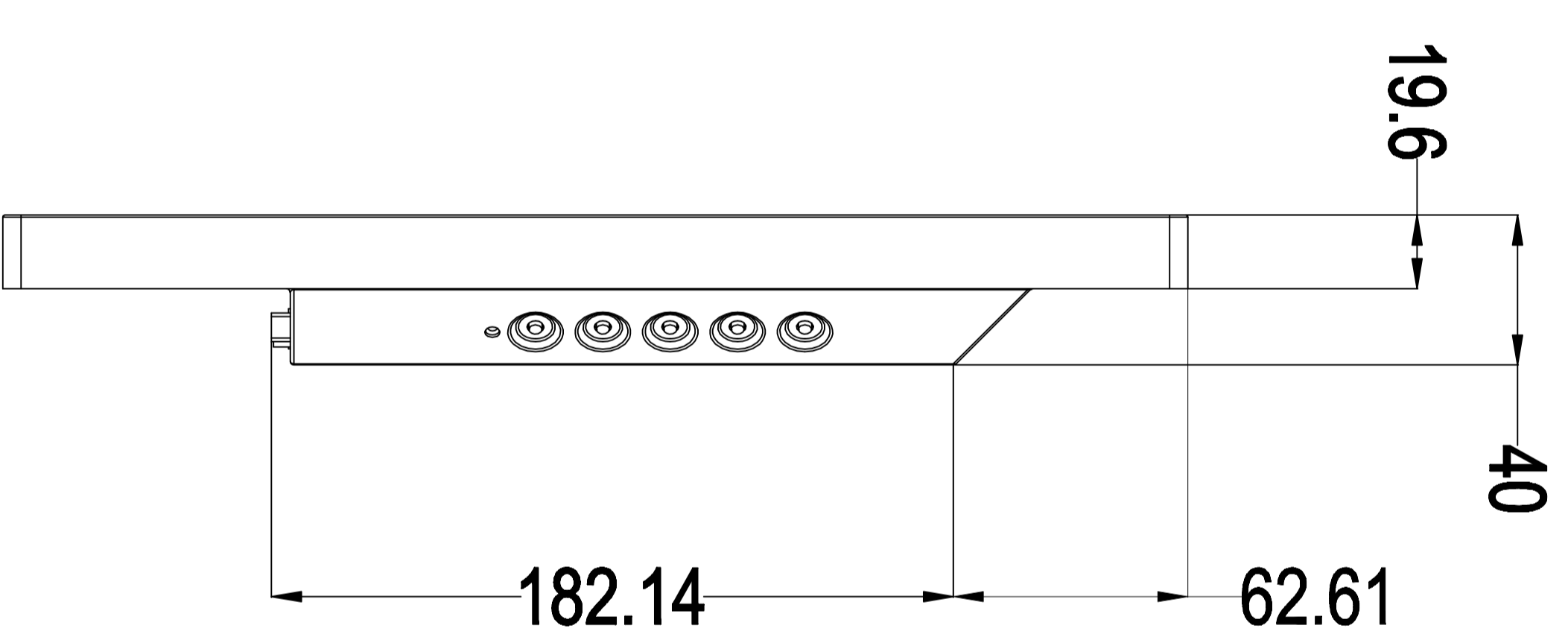
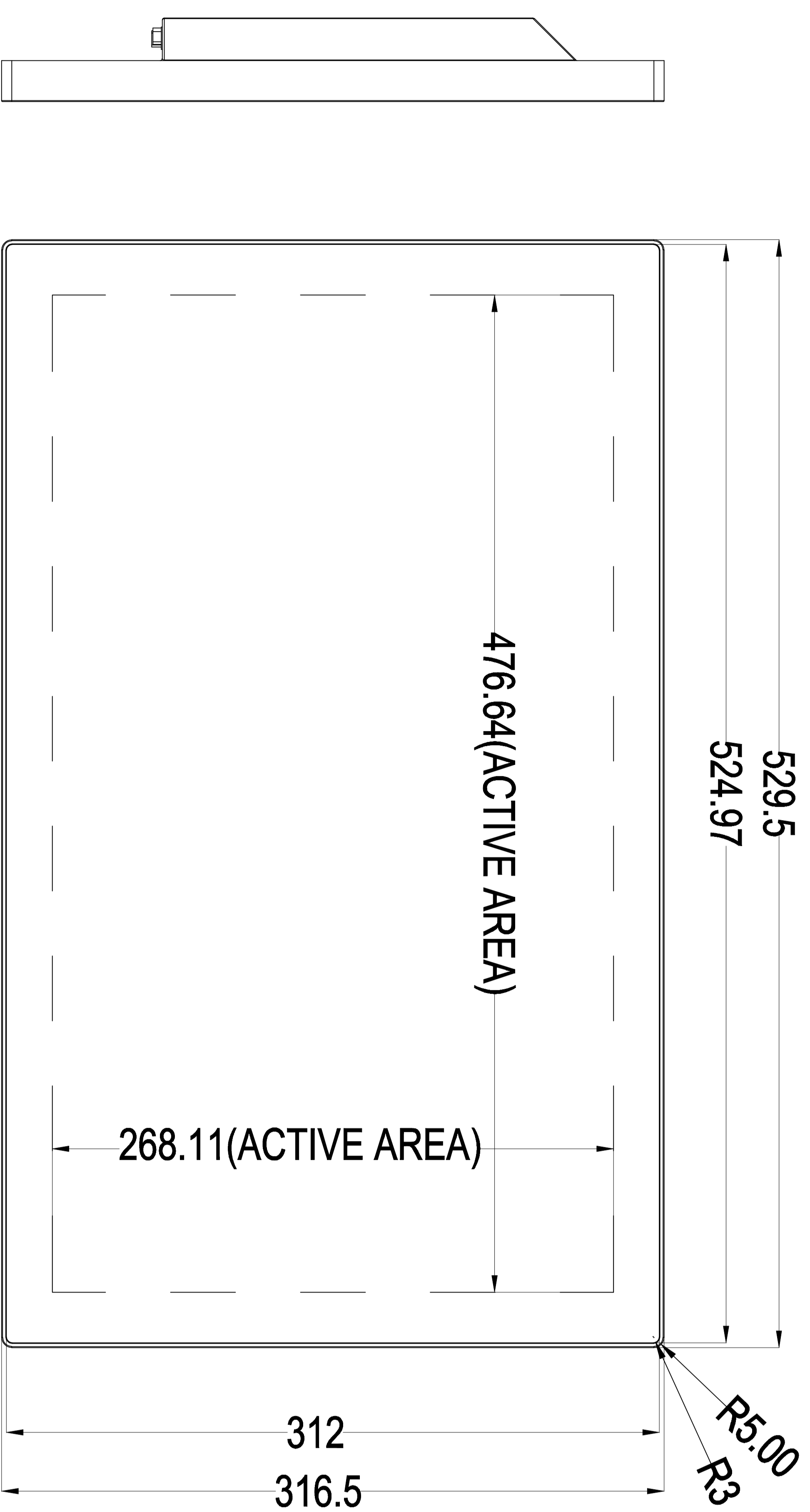
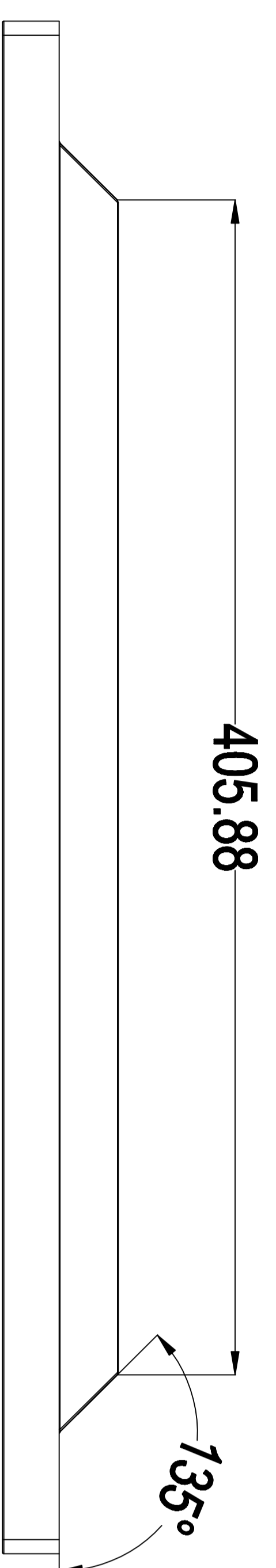
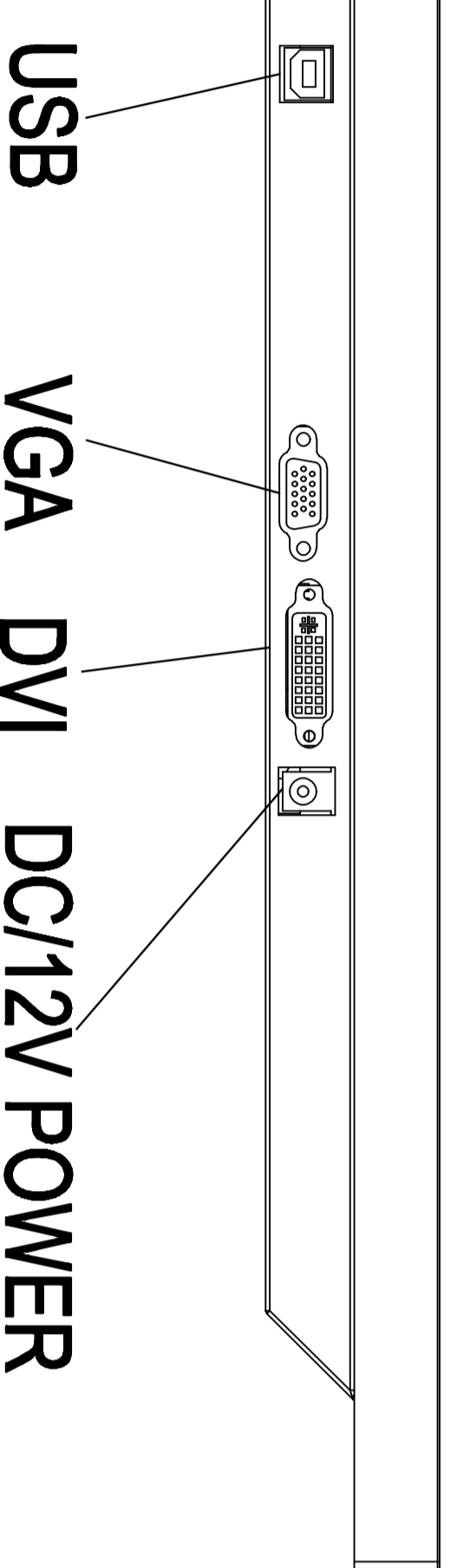


# TITLE: OTL22W-RPCZ03-UCD

MARK	REVISED CONTENTS	DATE	SIGNATURE
△			



**VESA:M4 THREAD  
MAX:SCREW DEPTH=6mm  
X8**



GeneralTouch Co.,Ltd.

SPEC or MATERIAL REMARK		External Dimensions		529.5*316.5*40	Anti-Glare	Y <input type="checkbox"/> N <input checked="" type="checkbox"/>	DESIGNER:
UNIT	DATE	Active Area	476.64*268.11	DustPro	Y <input type="checkbox"/> N <input checked="" type="checkbox"/>		Hanjun
mm	2019/10/23	Glass Thickness					
Projection:		Silk Print Color					
MOUNTING:		Vesa <input checked="" type="checkbox"/>	Bracket <input type="checkbox"/>				CHECKED: WangZhenghua
SHEET 1 OF 1		NOTES					APPROVED: ZhouBolun
RVE: 0.5	SCALE: 1:1	TOUCH TECHNOLOGY		P-CAP <input checked="" type="checkbox"/>	IR/PT <input type="checkbox"/>	SAW <input type="checkbox"/>	
Tolerance: ±1.0mm				Non-Touch		RESISTIVE <input type="checkbox"/>	

**ALL DIMENSIONS ARE IN MILLIMETERS**