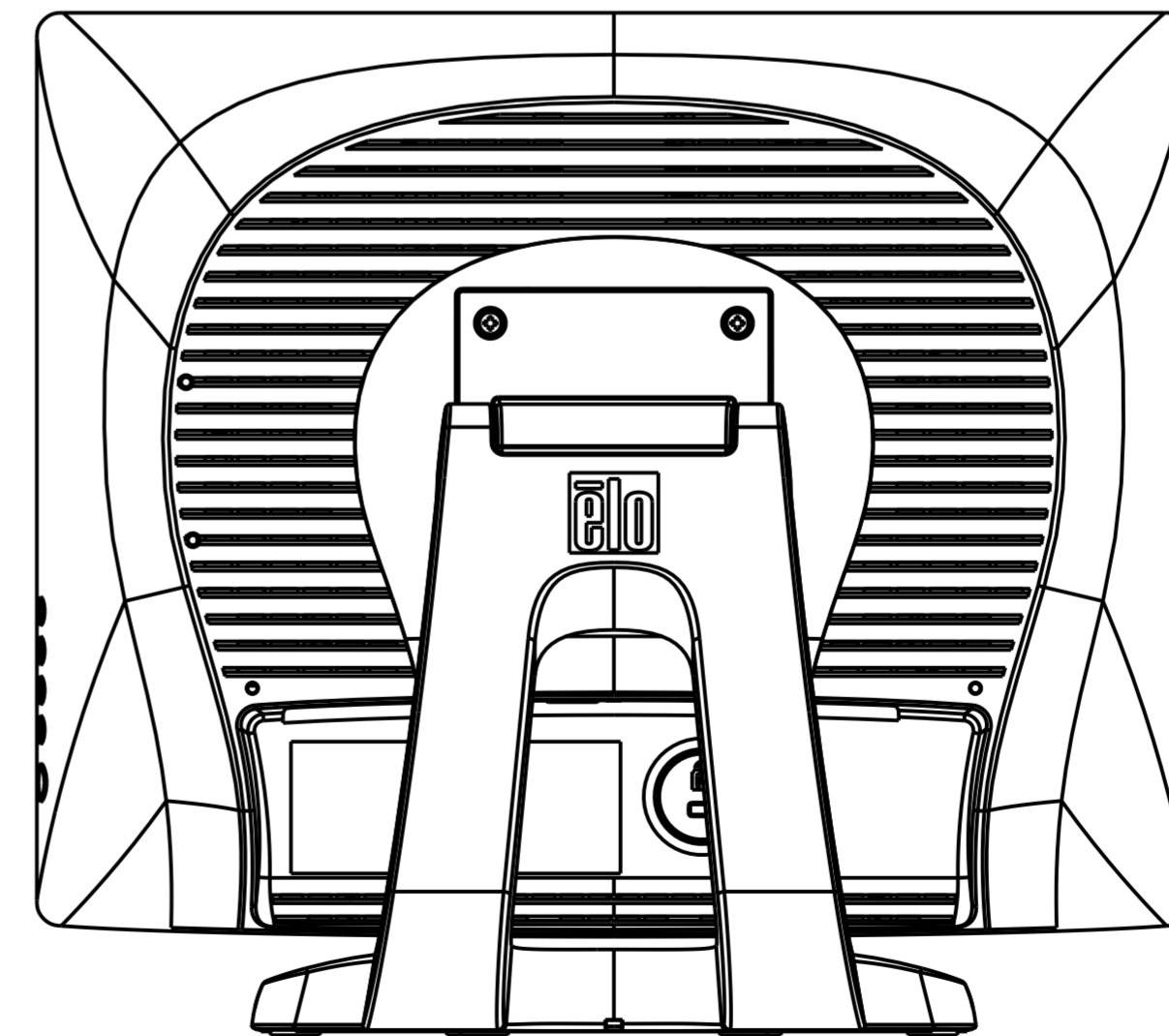
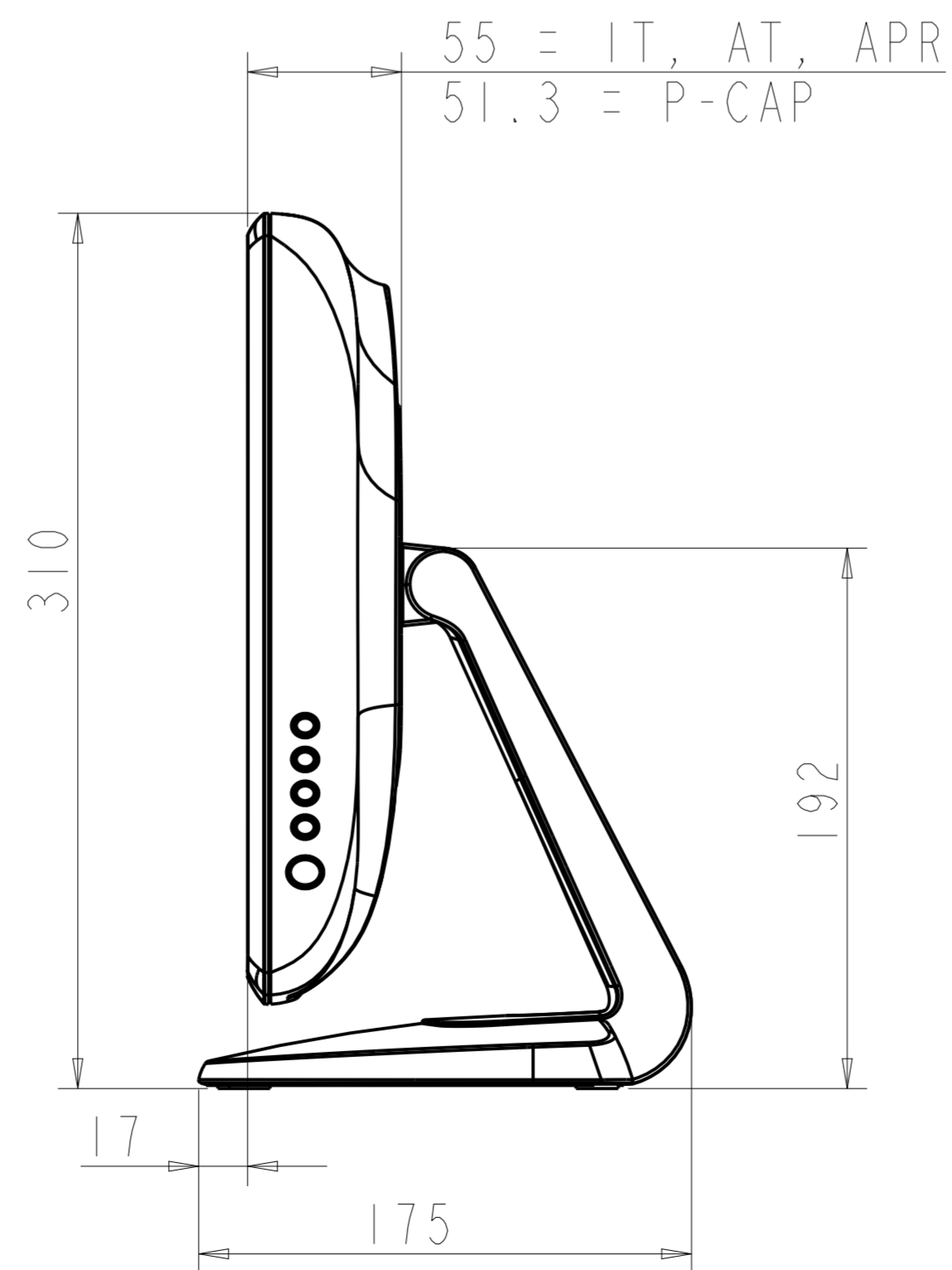
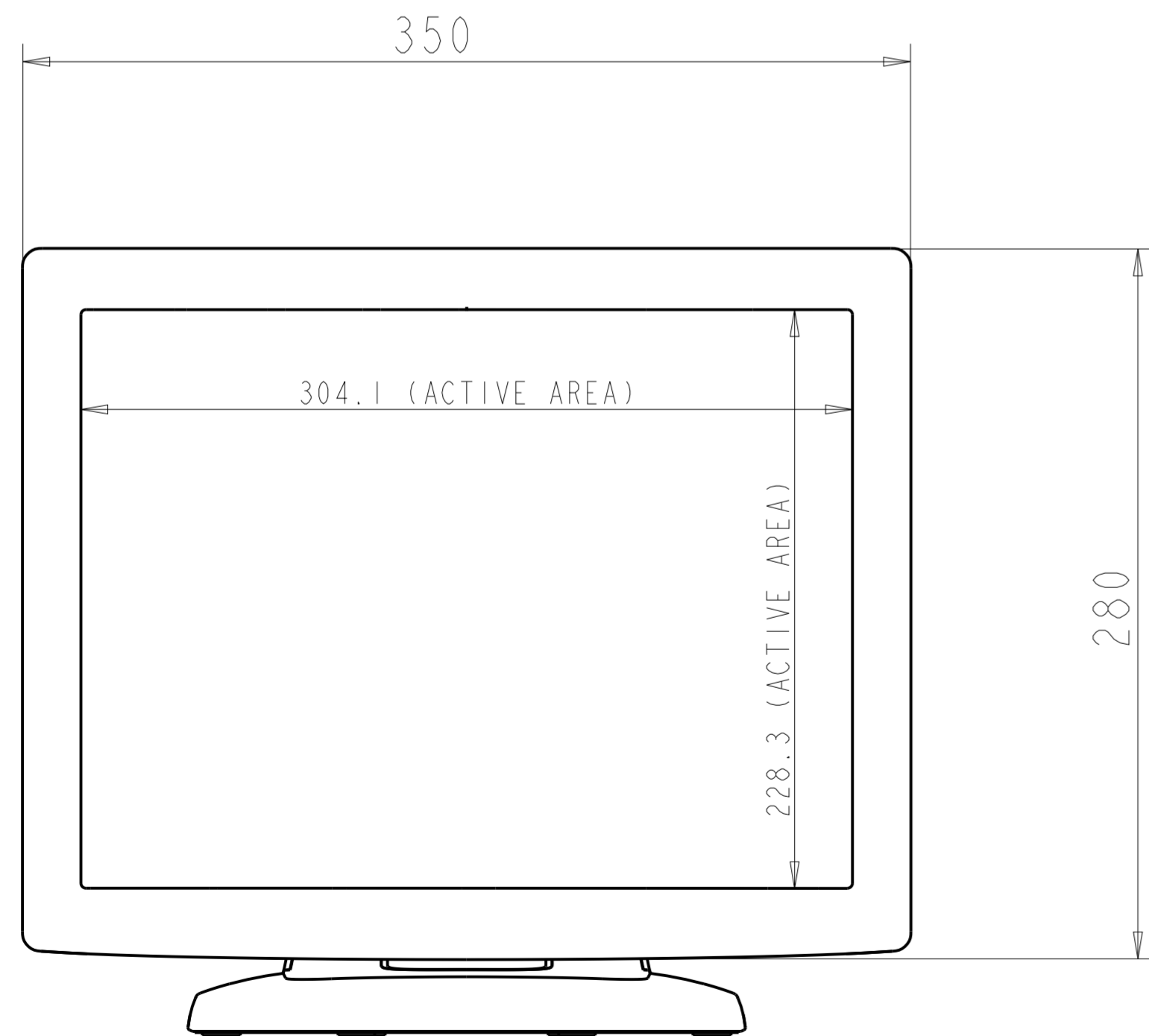
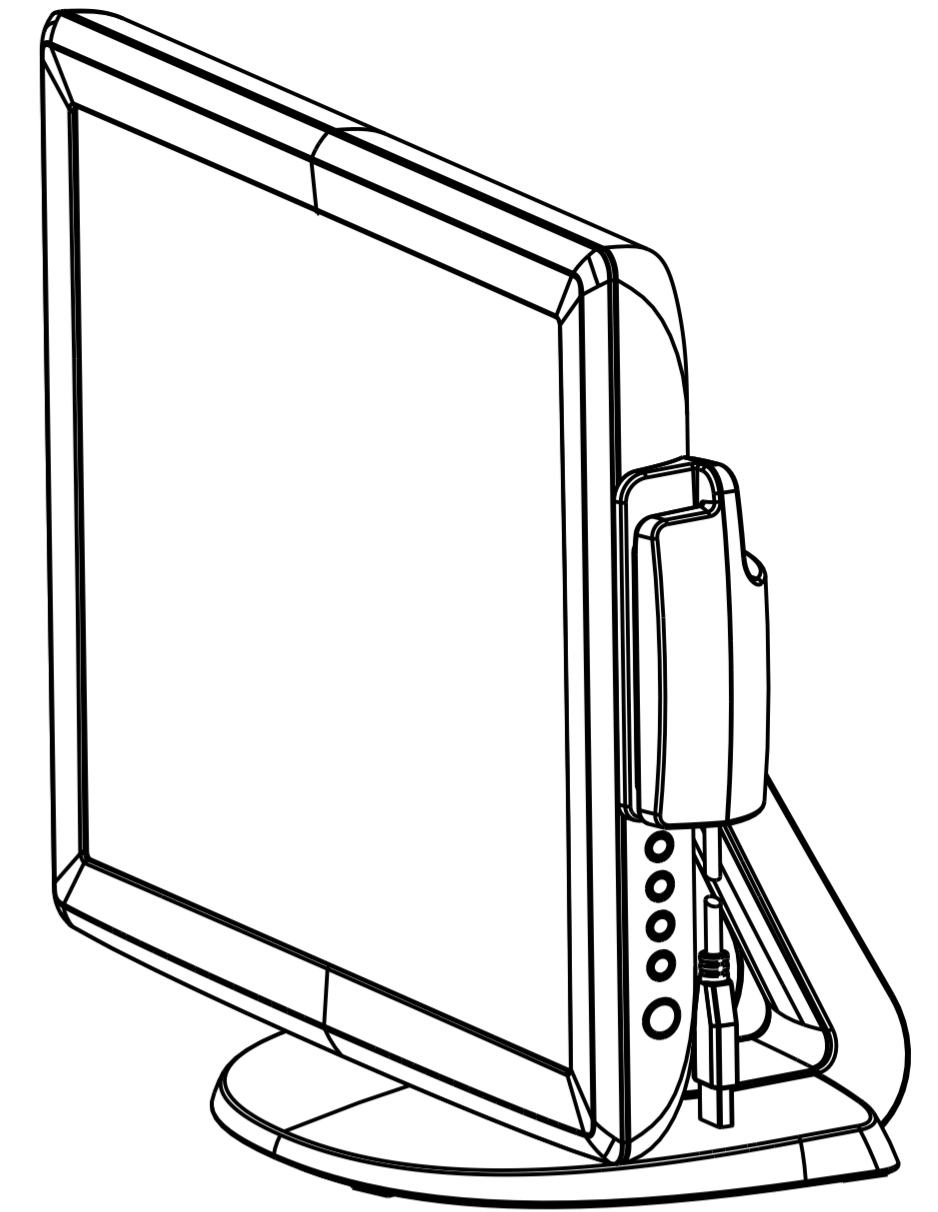
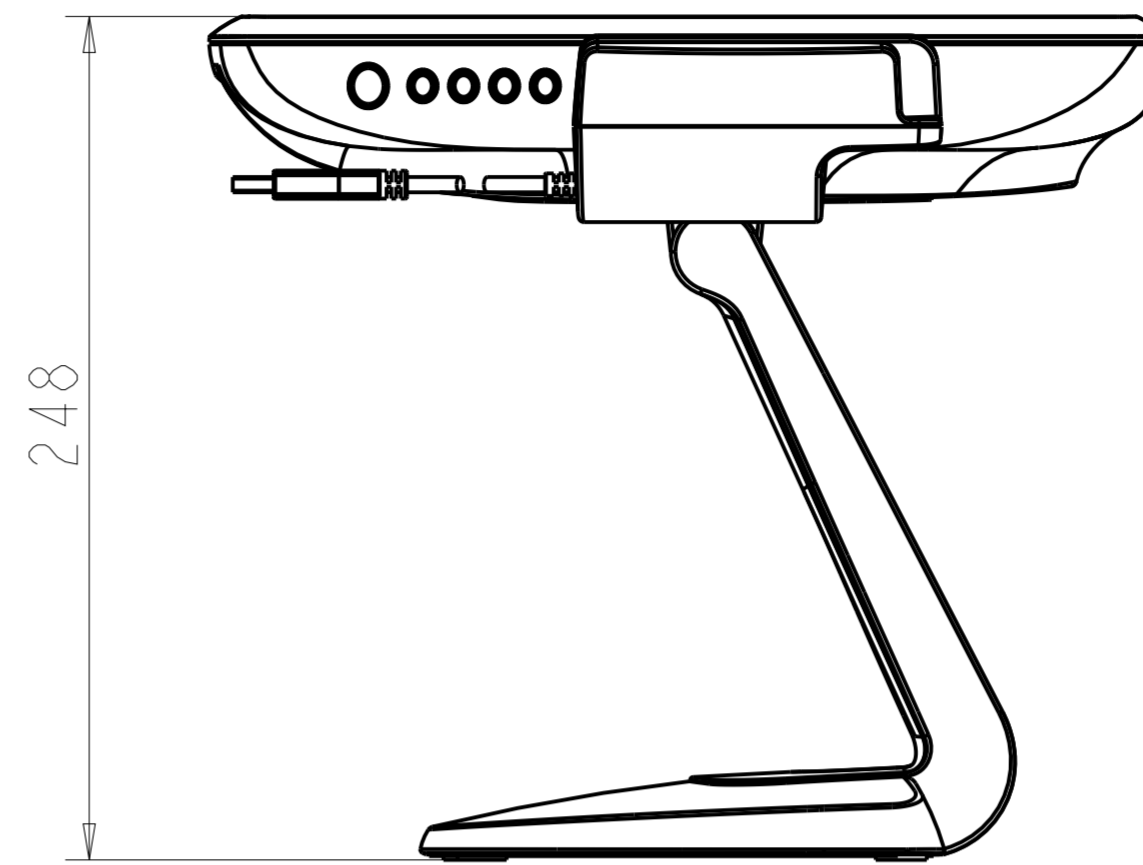
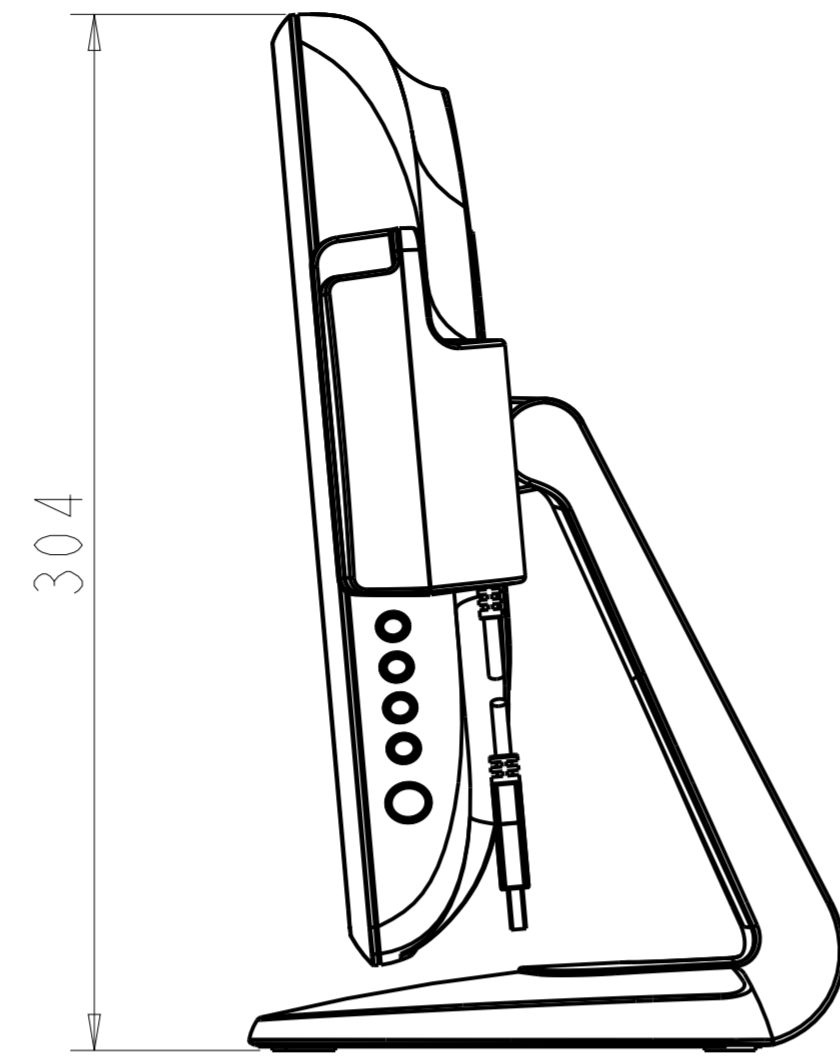
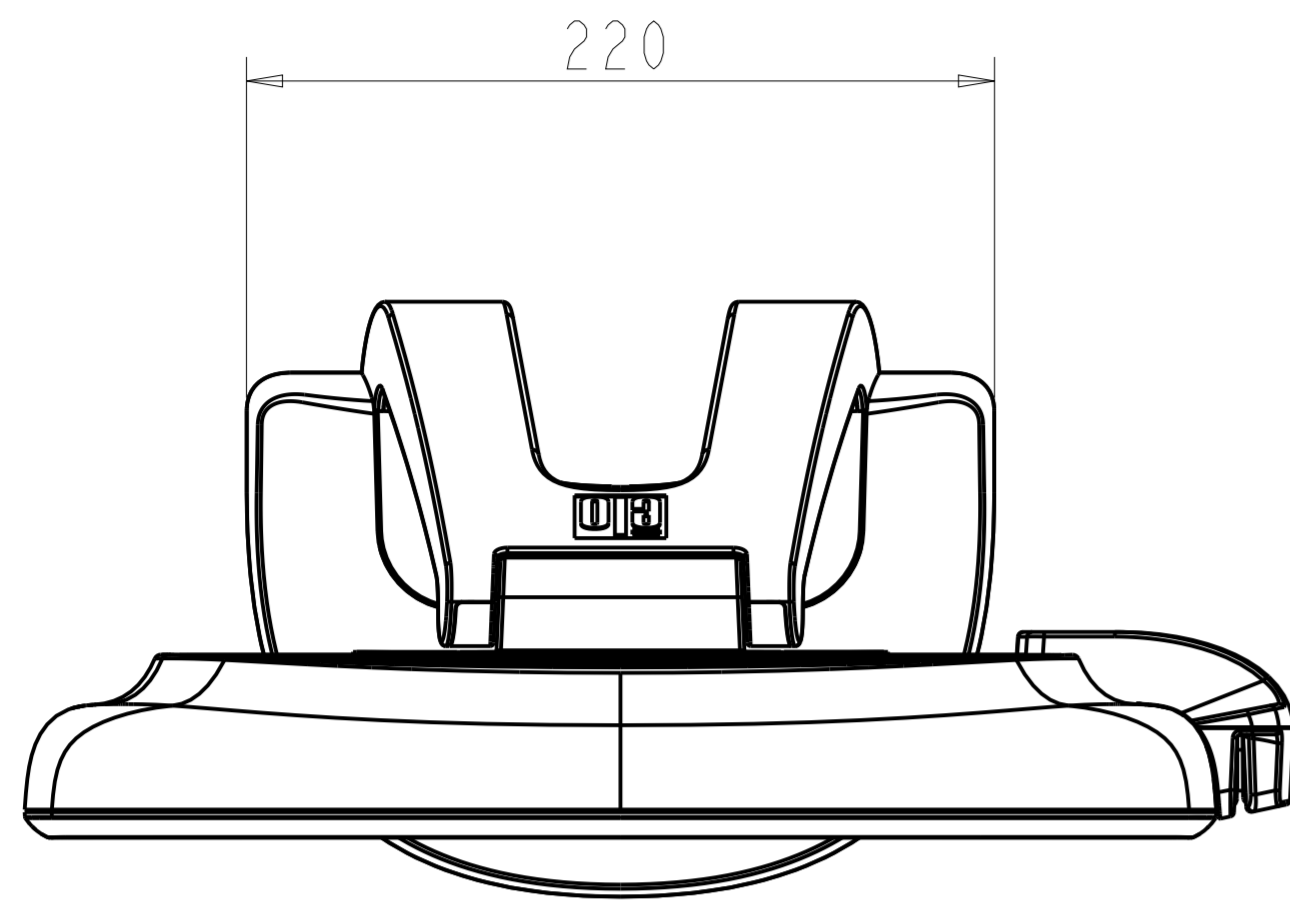


TILT -5° FROM VERTICAL

TILT 90° VERTICAL



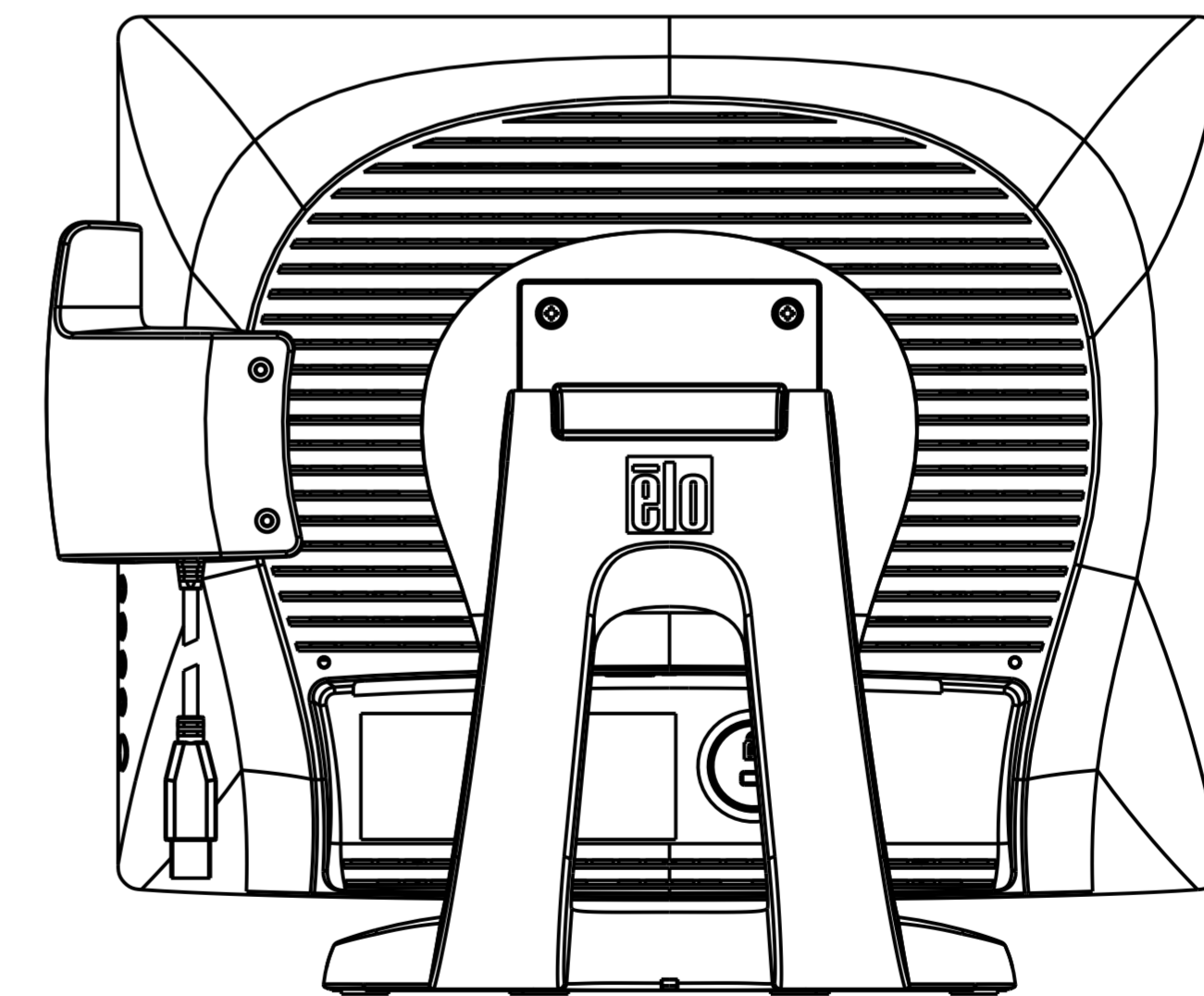
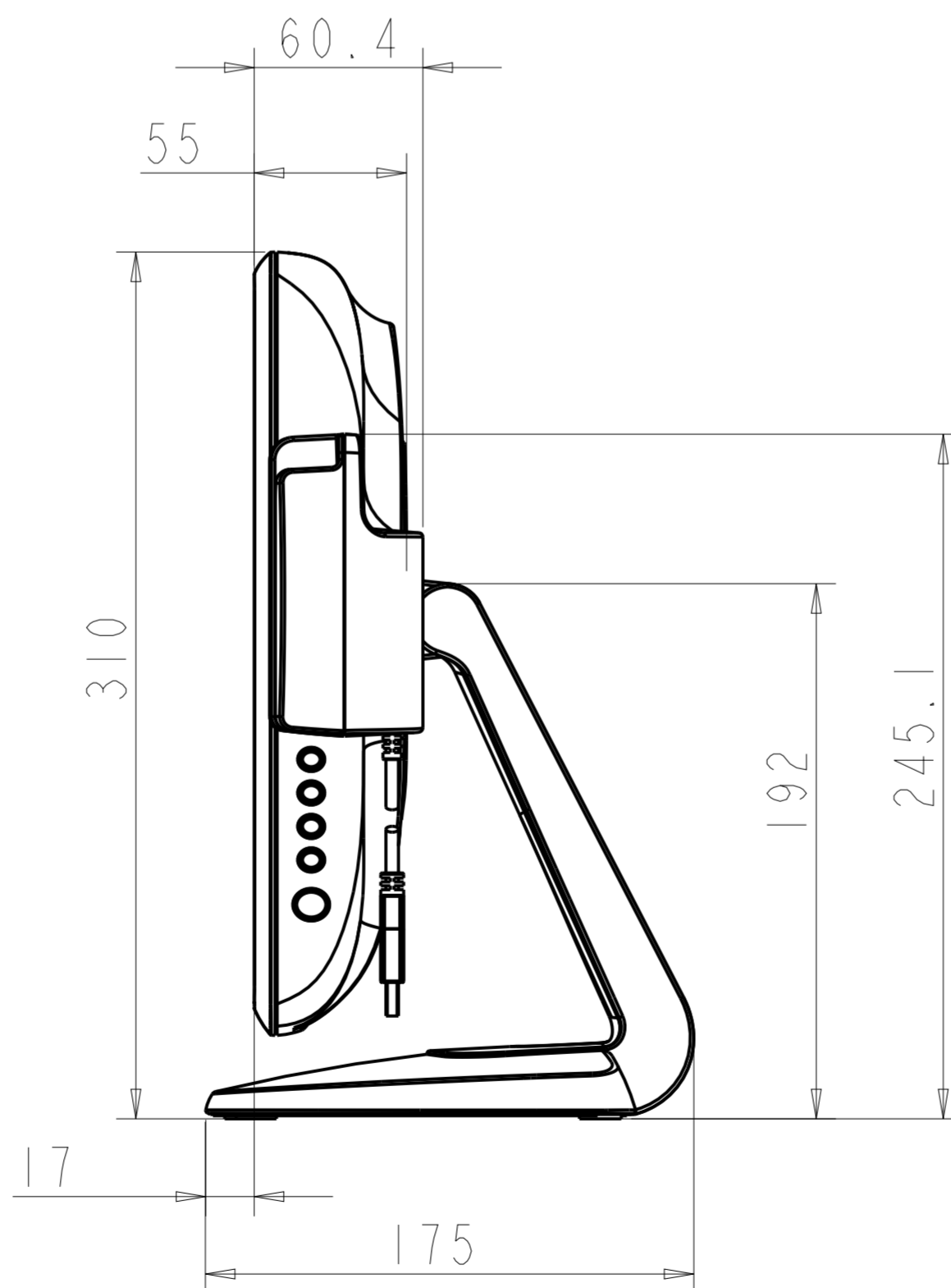
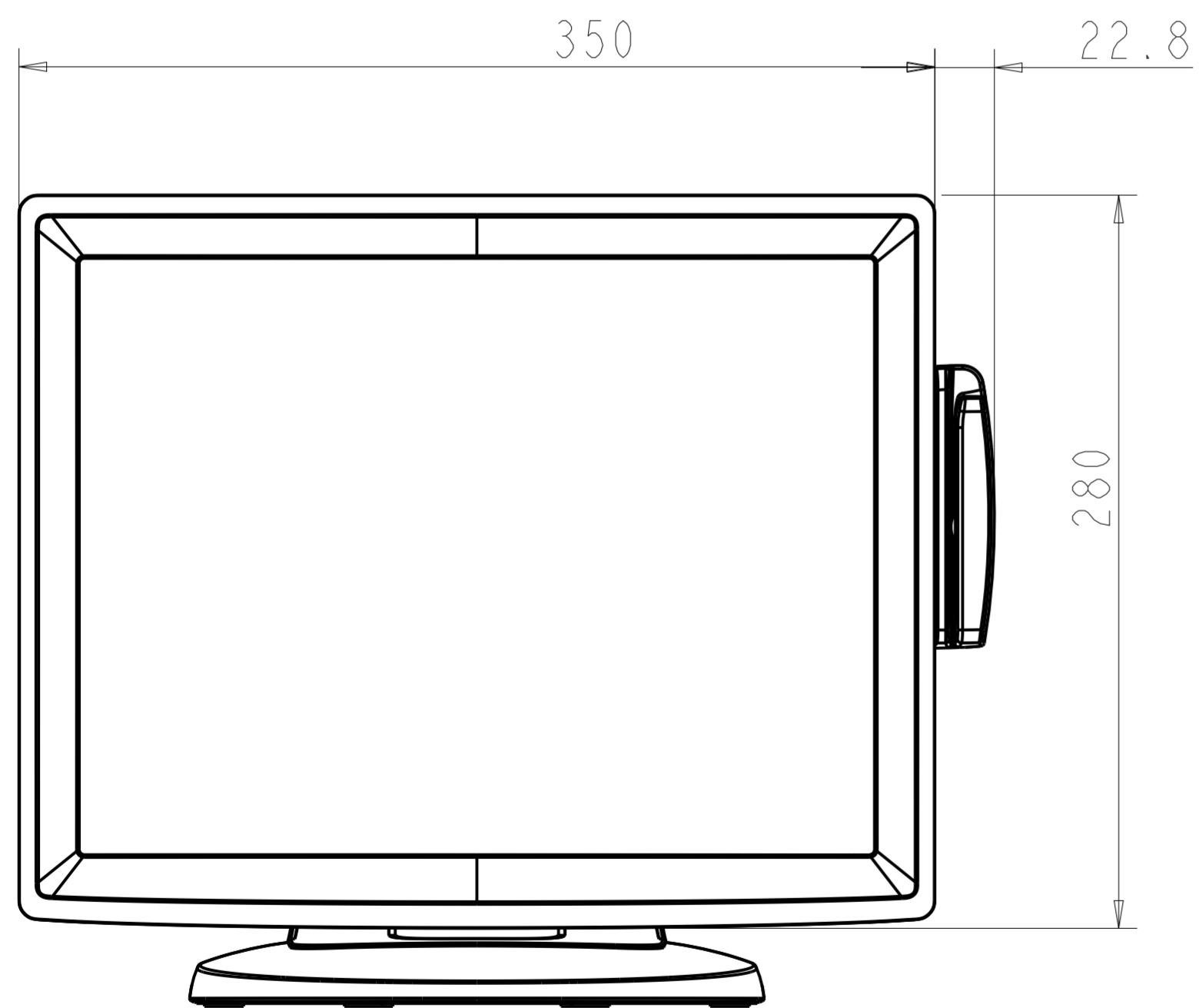
OPTIONAL MSR

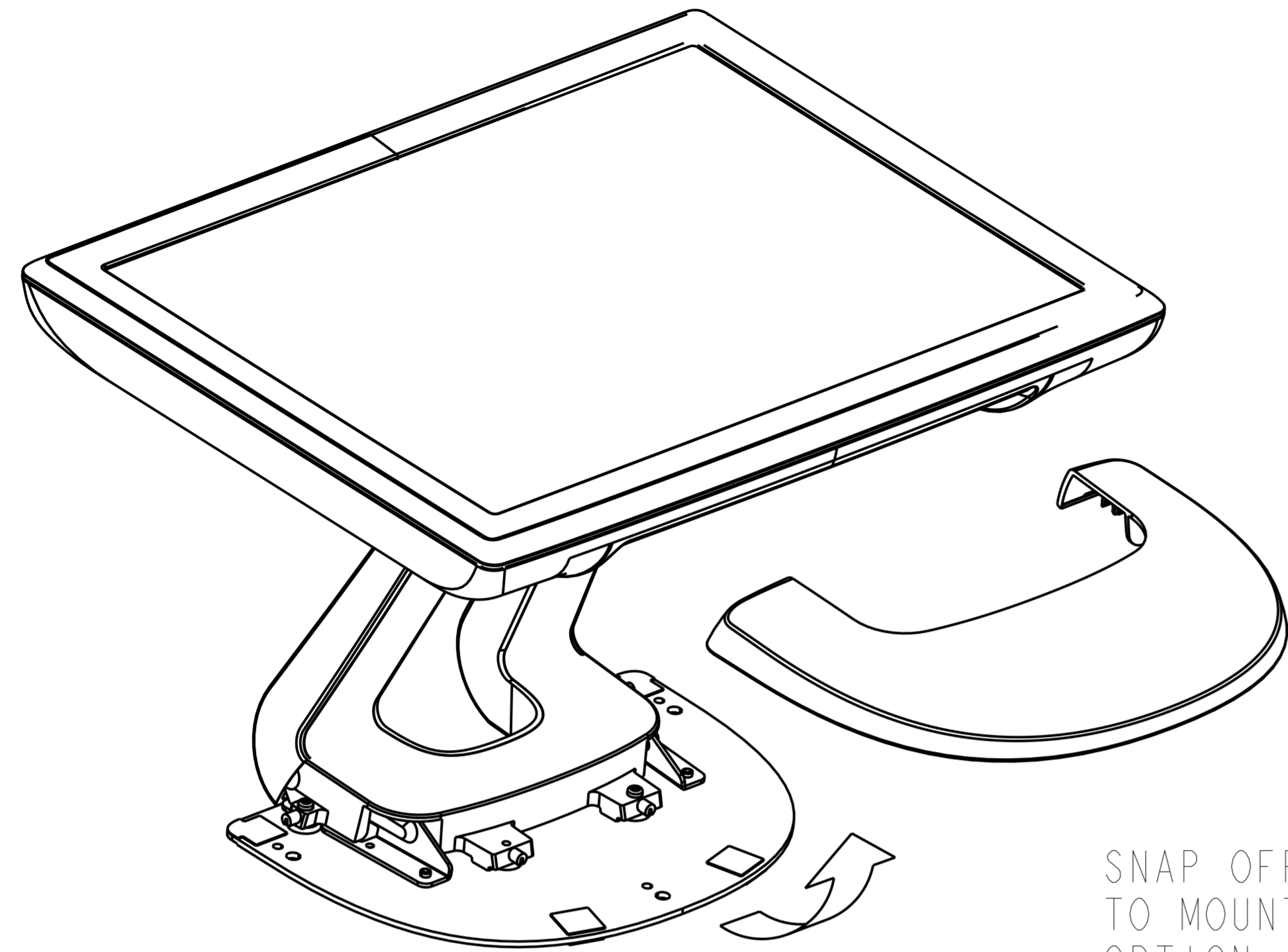


SCALE 0.450

TILT -5° FROM VERTICAL

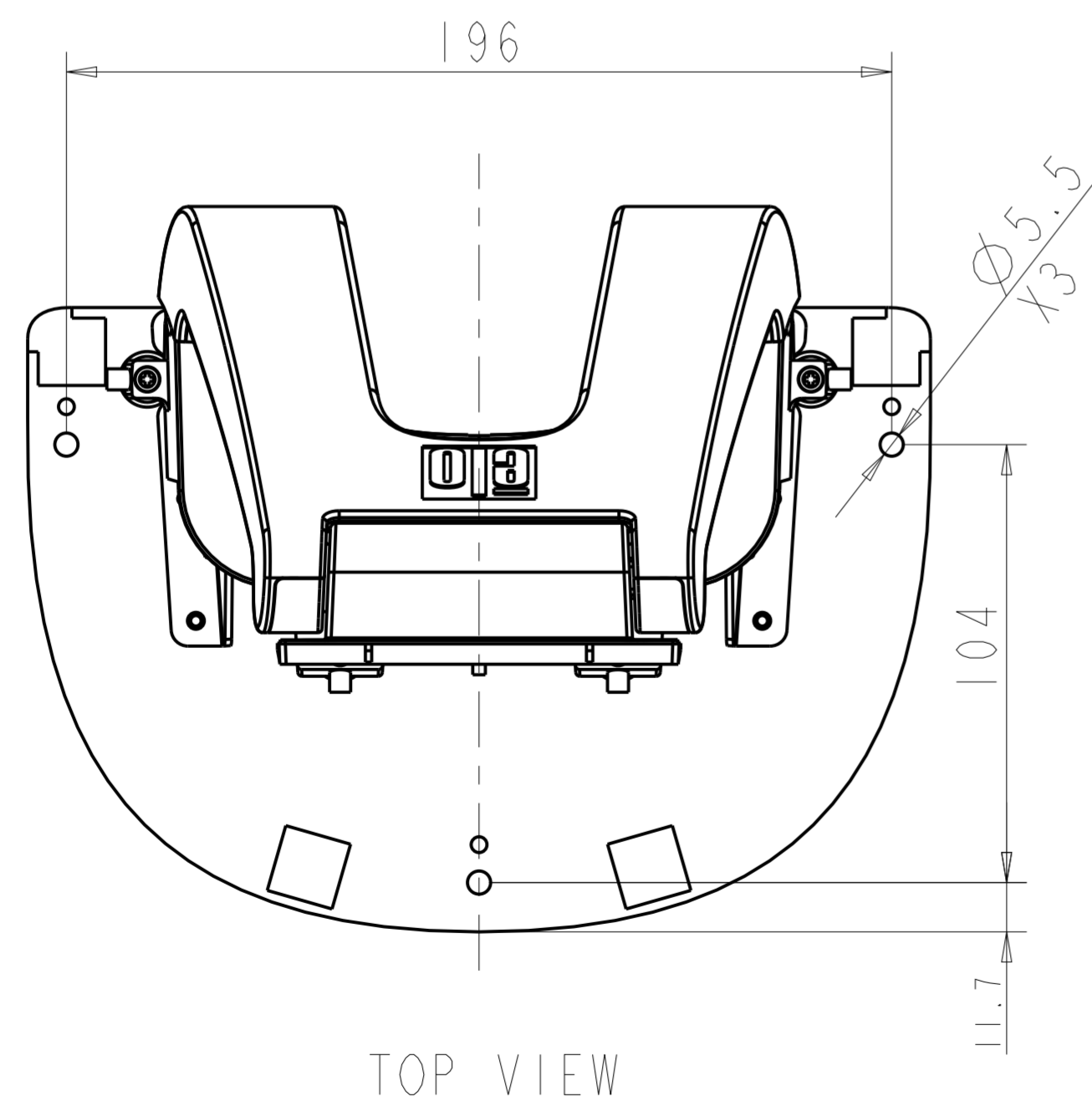
TILT 90° FROM VERTICAL





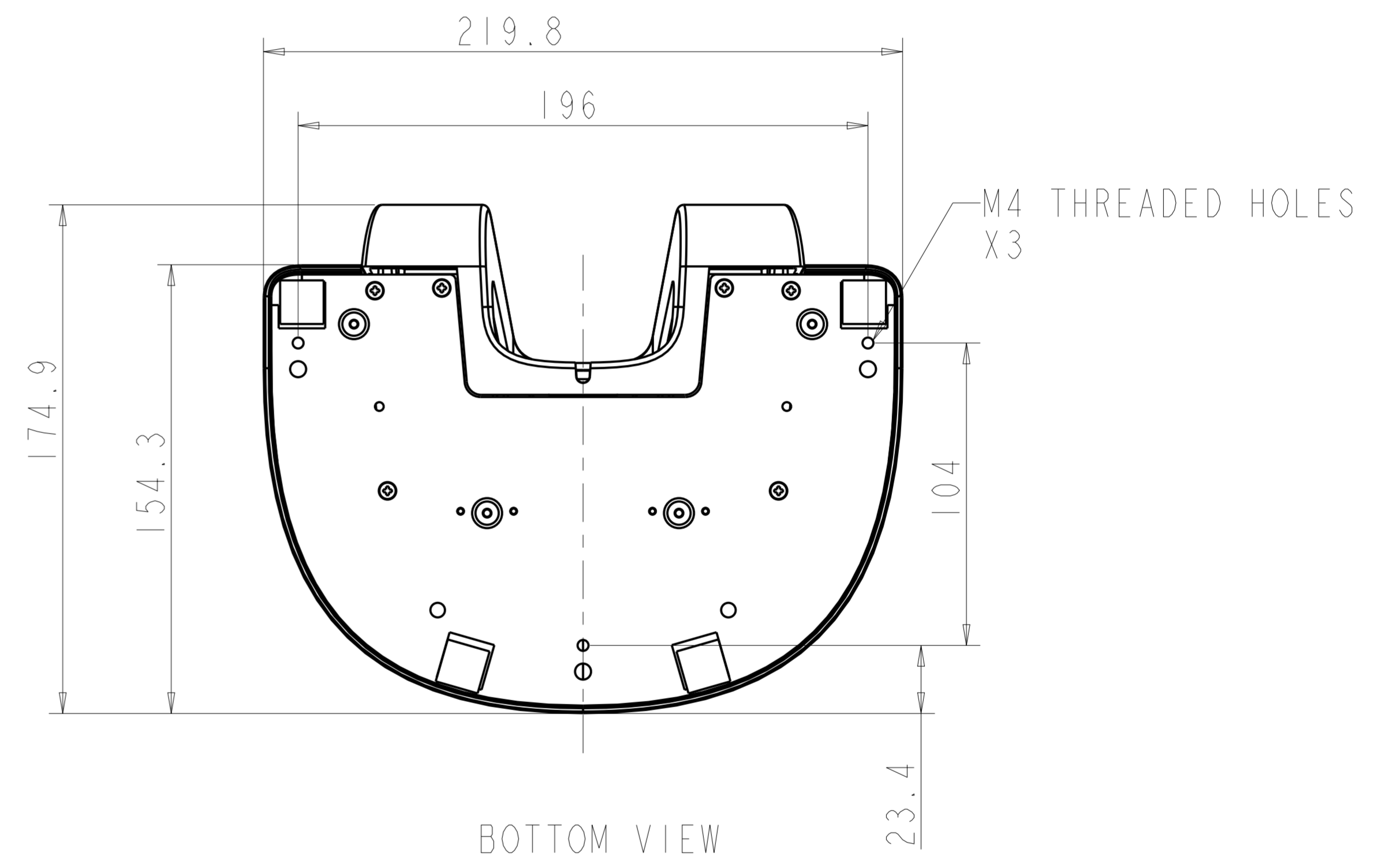
SNAP OFF STAND COVER
TO MOUNT STAND WITH
OPTION 1.

MOUNT OPTION 1



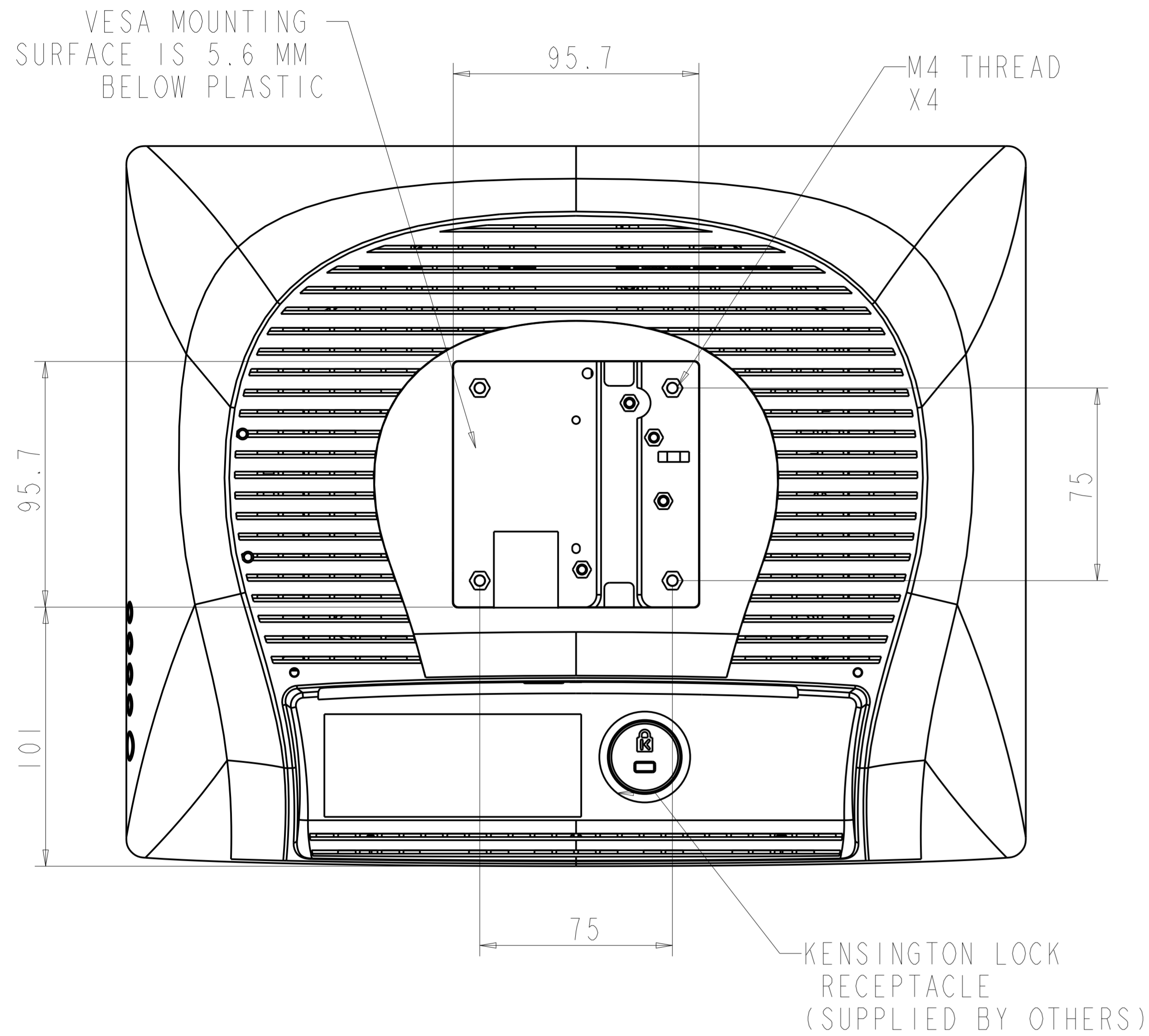
TOP VIEW

MOUNT OPTION 2

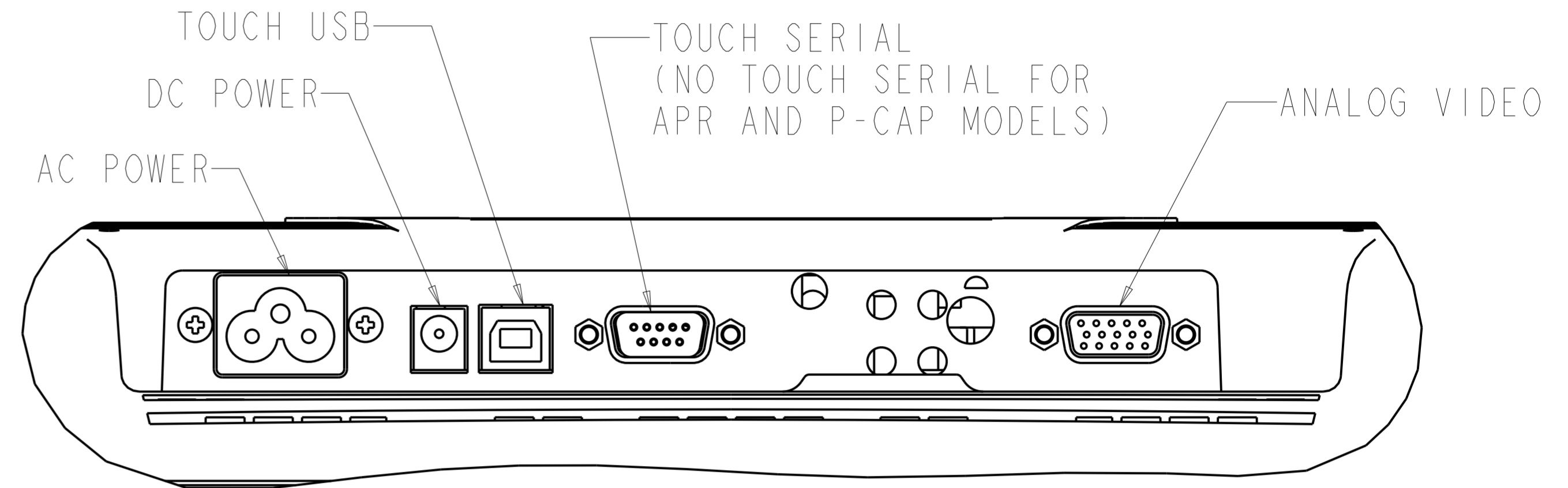


BOTTOM VIEW

VESA MOUNT

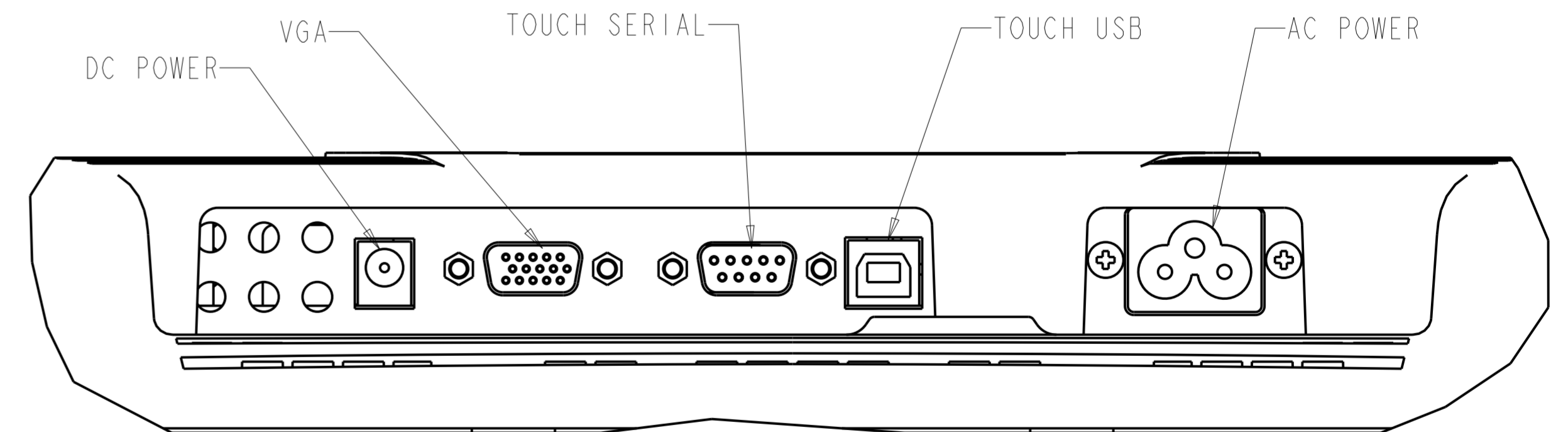


CONNECTOR PANEL



FOR MODEL LIST AS BELOW:

E290484	E1515L-7CWC-1-BG-G
E036936	E1515L-8CWC-1-BG-G
E183106	E1515L-7CAC-1-GY-G
E447013	E1515L-8CAC-1-GY-G
E882593	E1515L-8CEC-1-BG-G
E779029	E1515L-2UWC-0-GY-G
E813593	E1515L-7CJA-1-BG-G
E016878	E1515L-8CJA-1-BG-G



FOR MODEL LIST AS BELOW:

E210772	E1515L-7CWC-1-GY-G
E700813	E1515L-8CWC-1-GY-G
E344320	E1515L-7CEC-1-GY-G
E399324	E1515L-8CEC-1-GY-G