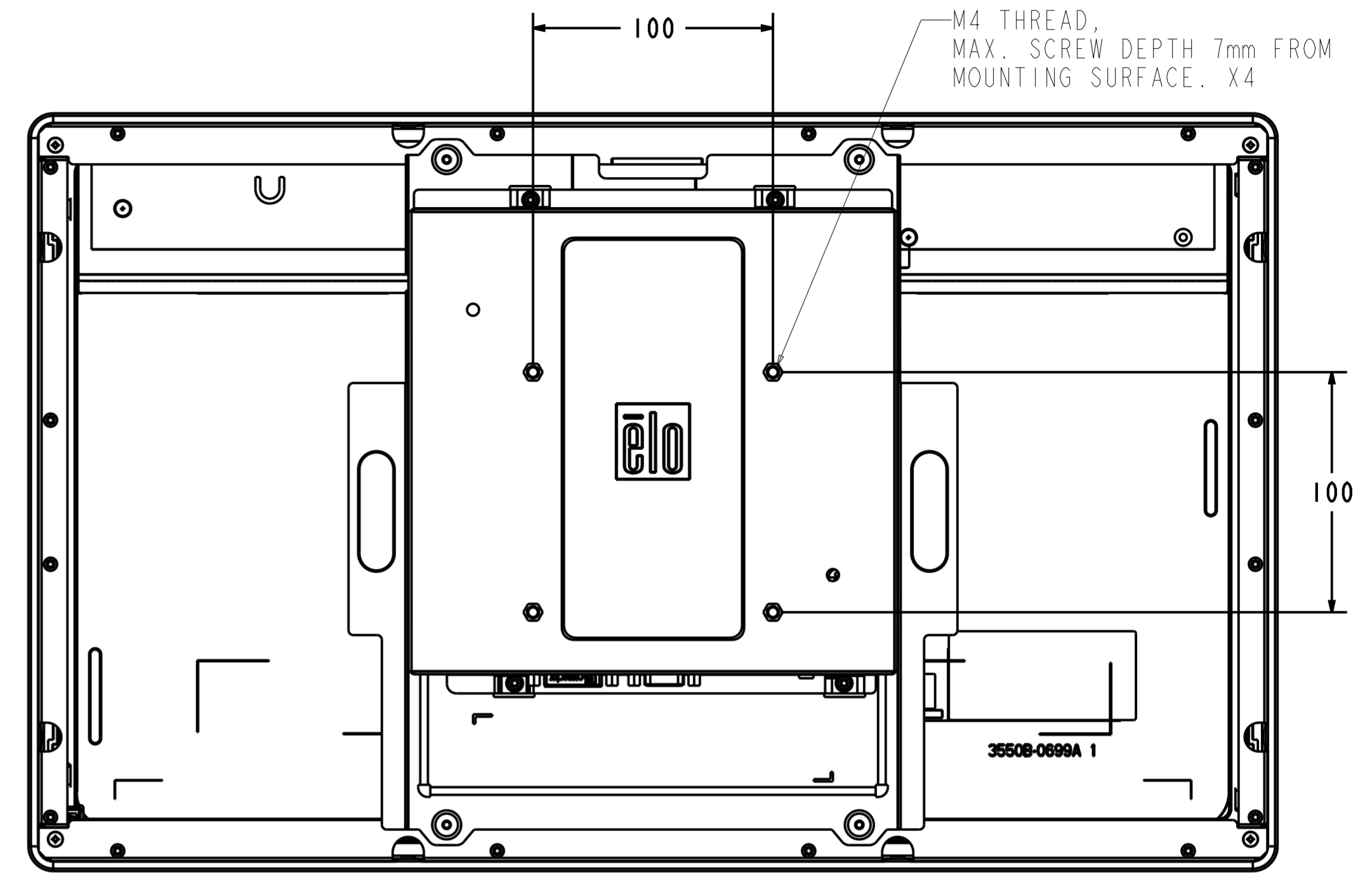
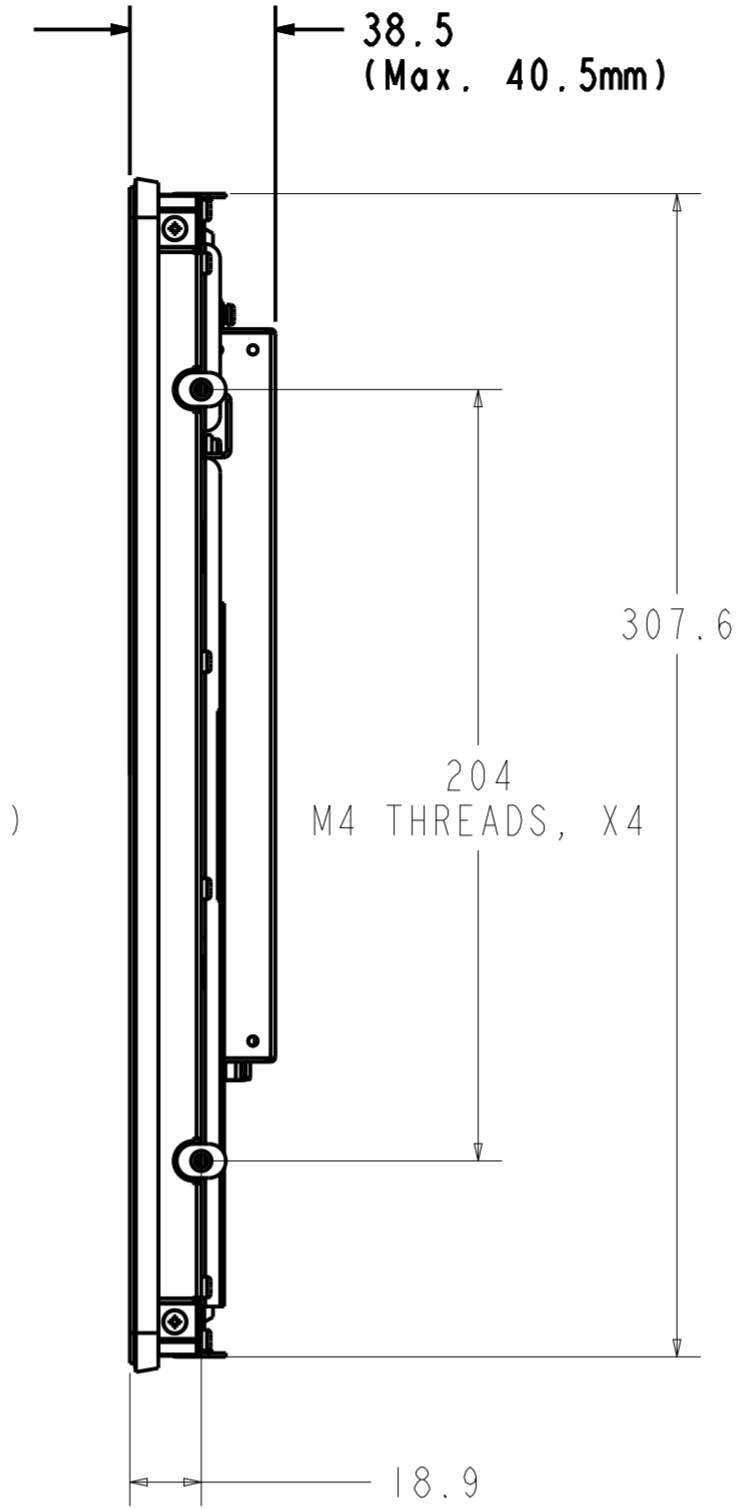
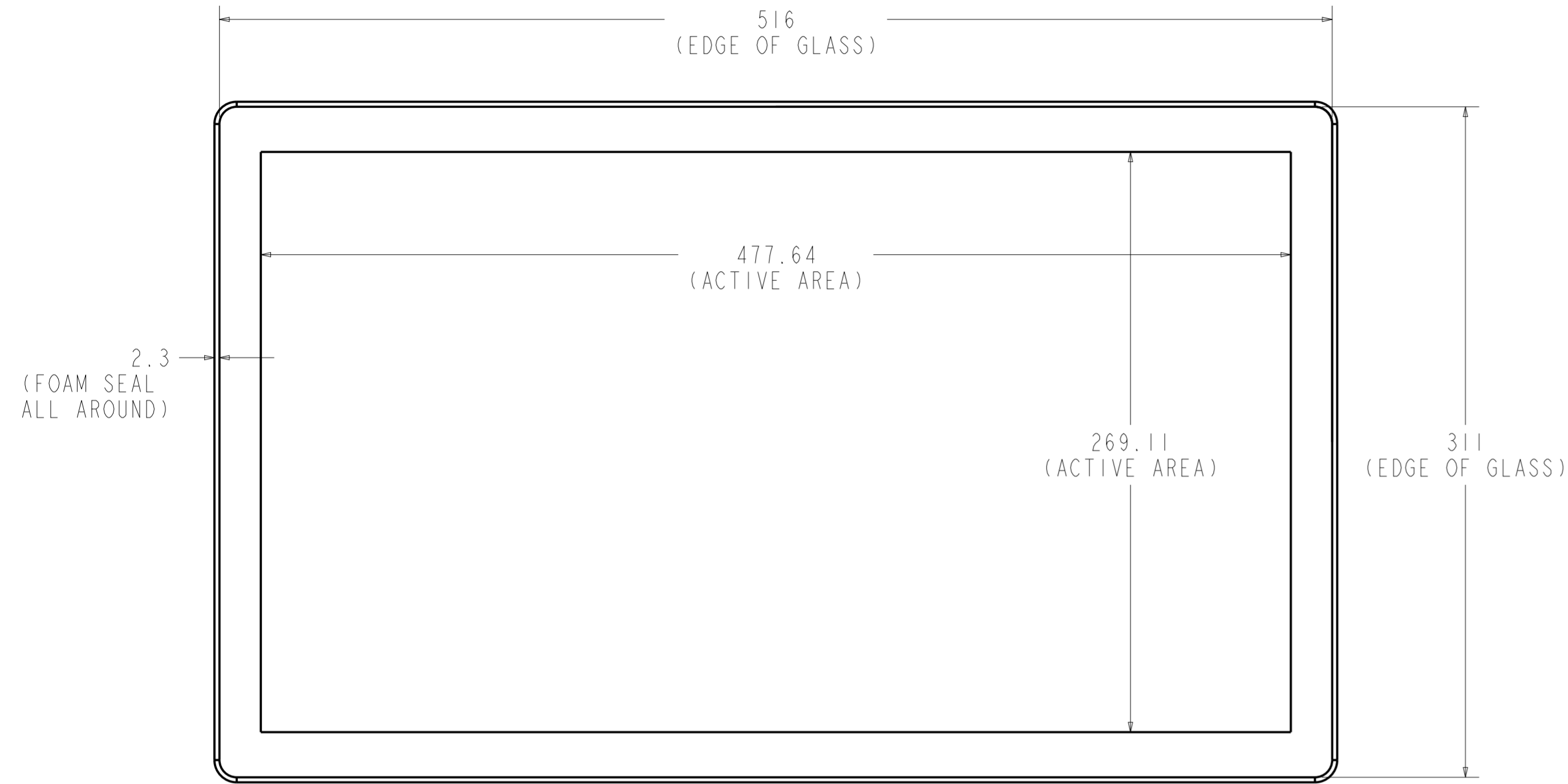
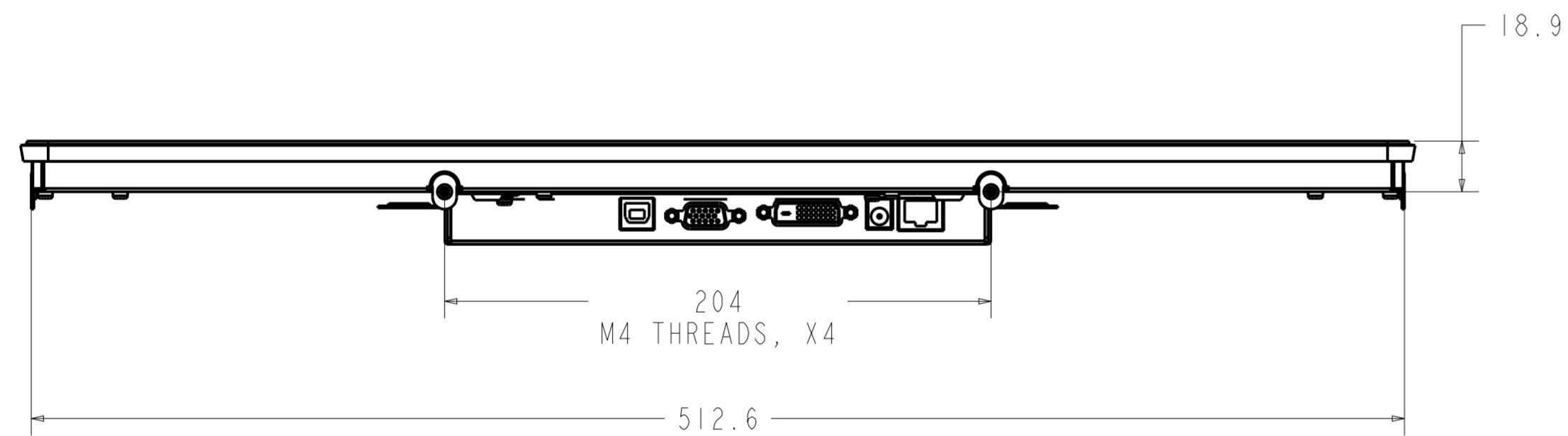


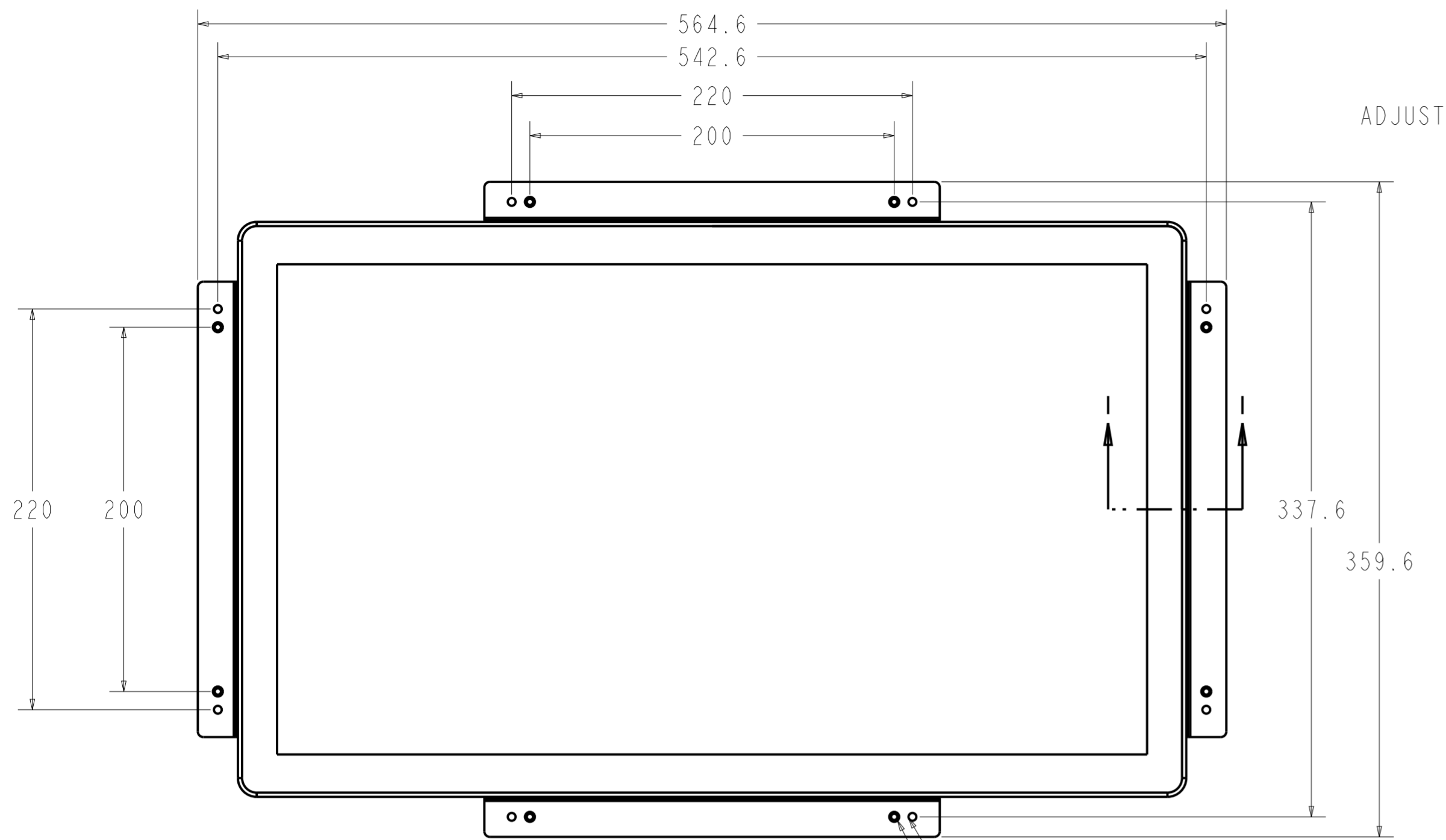
PROJECTED CAPACITIVE MODELS ONLY



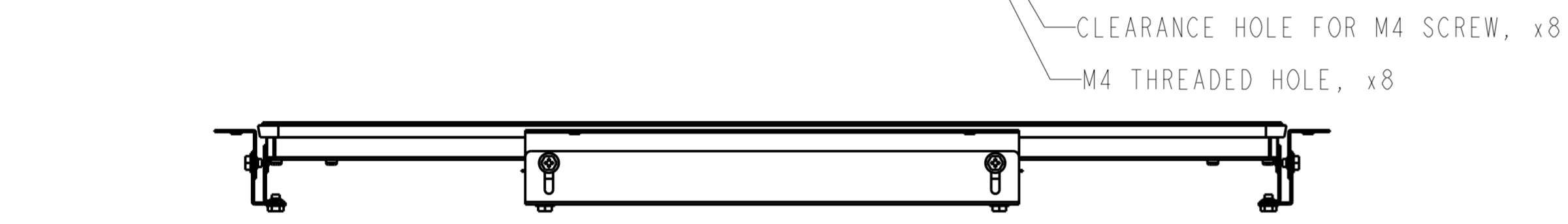
VESA MOUNT



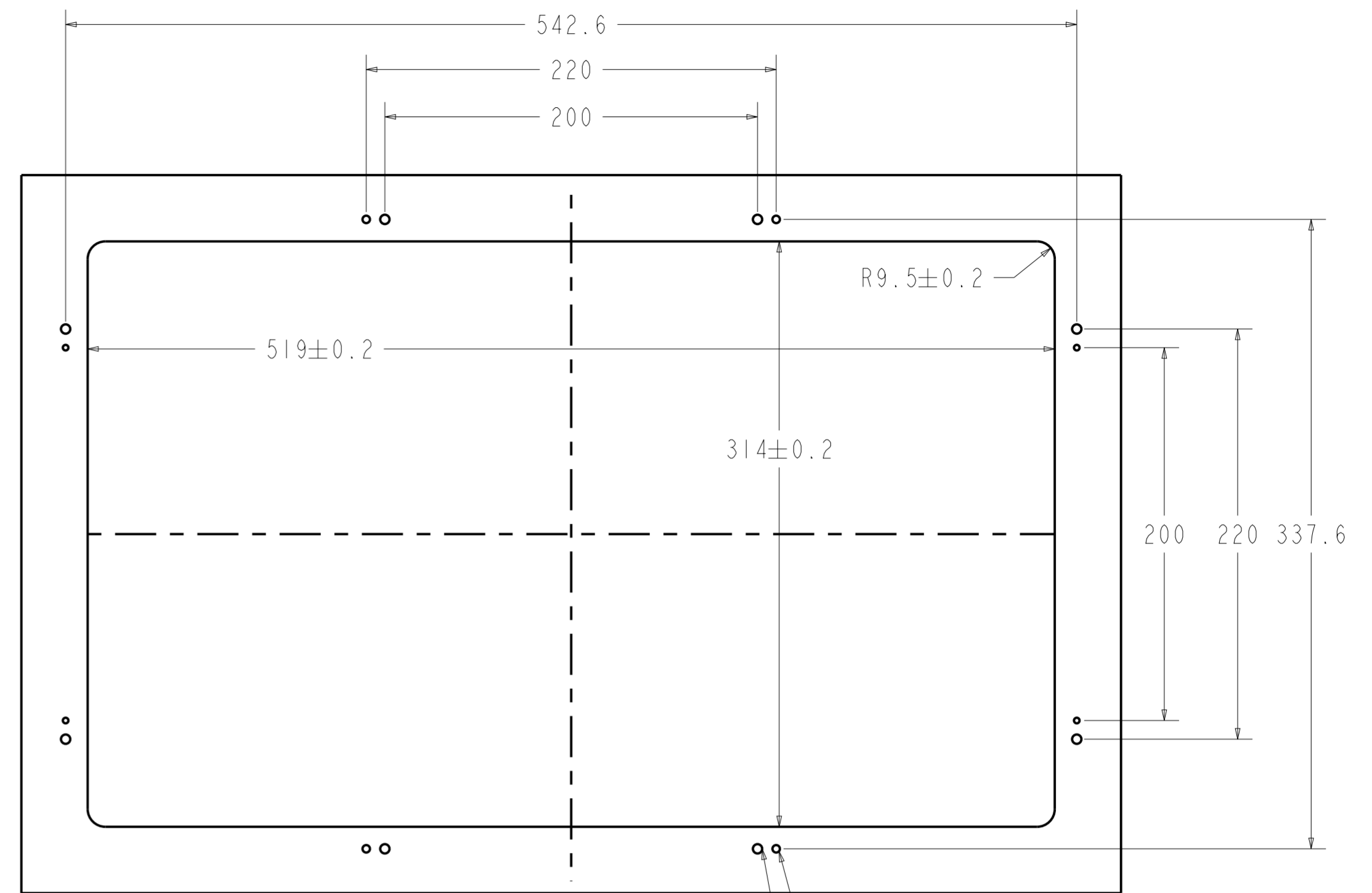
PROJECTED CAPACITIVE MODELS ONLY



ADJUSTMENT RANGE =
4 - 12.5MM



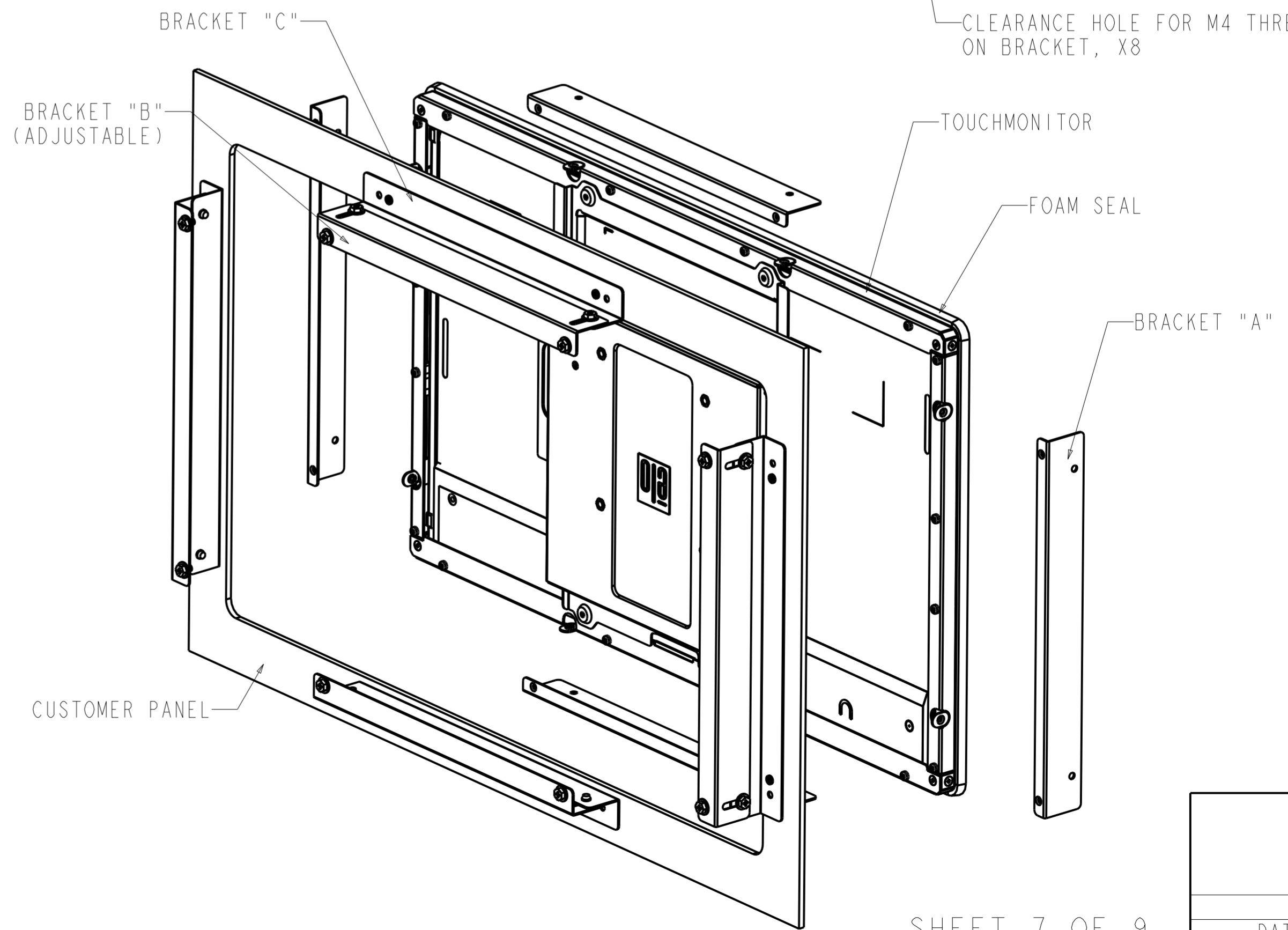
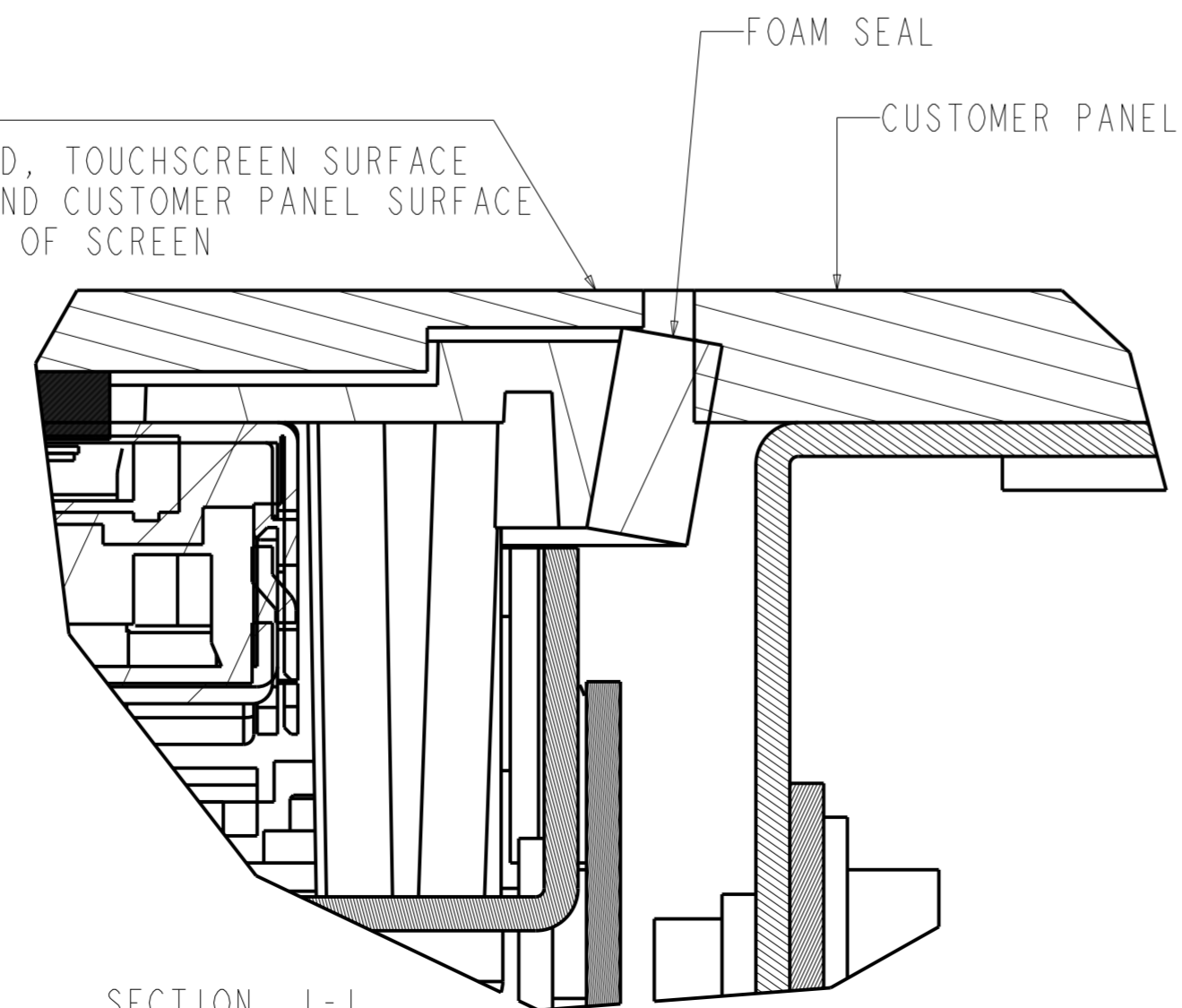
RECOMMENDED CUSTOMER PANEL CUT-OUT



MOUNTING HOLE, x8
IF CUSTOMER PANEL IS METAL, BLIND HOLE,
M4 THREAD
CLEARANCE HOLE FOR M4 THREADS
ON BRACKET, x8

- INSTALLATION NOTES:
1. ATTACH BRACKET "A" TO TOUCHMONITOR WITH M4 LOW PROFILE SCREWS (INCLUDED)
 2. ATTACH BRACKET "C" TO CUSTOMER PANEL PER DRAWING
 3. ATTACH BRACKET "B" TO BRACKET "C" WITH M4 HEX HEAD SCREWS (INCLUDED)
 4. ADJUST DEPTH OF BRACKET "B" SO MONITOR IS FLUSH WITH CUSTOMER PANEL.
 5. PLACE TOUCHMONITOR INTO CUSTOMER PANEL OPENING TAKING CARE NOT TO DAMAGE FOAM SEAL
 6. SECURE TOUCHMONITOR TO BRACKET "B" FROM BEHIND WITH M4 HEX HEAD SCREWS (INCLUDED)

TOUCHSCREEN SURFACE
CAUTION: WHEN ASSEMBLED, TOUCHSCREEN SURFACE
MUST NOT PROTRUDE BEYOND CUSTOMER PANEL SURFACE
ANYWHERE AROUND BORDER OF SCREEN



DIMENSIONS ARE IN MILLIMETERS